



AIR HANDLING UNIT

BLAUAIR Rth

EN

USER'S MANUAL

CONTENTS

Safety requirements.....	2
Purpose	5
Delivery set	5
Designation key	6
Technical data.....	7
Unit design and operation logic.....	8
Installation and set-up	9
Connection to power mains	11
Technical maintenance	12
Storage and transportation regulations.....	13
Certificate of acceptance.....	15
Seller information.....	15
Installation certificate.....	15
Warranty card.....	15

This user's manual is a main operating document intended for technical, maintenance, and operating staff.

The manual contains information about purpose, technical details, operating principle, design, and installation of the BLAUAIR RH unit and all its modifications.

Technical and maintenance staff must have theoretical and practical training in the field of ventilation systems and should be able to work in accordance with workplace safety rules as well as construction norms and standards applicable in the territory of the country.

This product is not compliant with the RoHS Directive (2011/65/EU) due to the presence of hazardous substances exceeding the permissible concentrations.

Warning: This product may contain substances (lead and cadmium) in concentrations that exceed the permissible limits set by the RoHS directive. This concentration is necessary for increased reliability of electrical components. Use of the product may pose risks to health and the environment, especially during disposal or waste treatment.

Warning: The product is subject to special disposal conditions and should not be disposed of with household waste. The product must be disposed of in accordance with the requirements for electronic waste at certified recycling centers authorized to handle materials containing lead and cadmium

SAFETY REQUIREMENTS

THE UNIT MUST BE GROUNDED!

DO NOT BEND THE POWER CABLE.

AVOID DAMAGING THE POWER CABLE.

DO NOT PUT ANY FOREIGN OBJECTS ON THE POWER CABLE.

DO NOT USE DAMAGED EQUIPMENT OR CABLES WHEN CONNECTING THE UNIT TO POWER MAINS.

DO NOT TOUCH THE UNIT CONTROLS WITH WET HANDS.

DO NOT CARRY OUT THE INSTALLATION AND MAINTENANCE OPERATIONS WITH WET HANDS.

DO NOT ALLOW CHILDREN TO OPERATE THE UNIT.

DO NOT STORE ANY EXPLOSIVE OR HIGHLY FLAMMABLE SUBSTANCES IN CLOSE PROXIMITY TO THE UNIT.

DO NOT OPEN THE UNIT DURING OPERATION.

DO NOT BLOCK THE AIR DUCT WHEN THE UNIT IS SWITCHED ON.

DO NOT SIT ON THE UNIT AND AVOID PLACING FOREIGN OBJECTS ON IT.

UNPACK THE UNIT WITH CARE.

WHILE INSTALLING THE UNIT, FOLLOW THE SAFETY REGULATIONS SPECIFIC TO THE USE OF ELECTRIC TOOLS.

DO NOT LAY THE POWER CABLE OF THE UNIT IN CLOSE PROXIMITY TO HEATING EQUIPMENT.

DO NOT OPERATE THE UNIT OUTSIDE THE TEMPERATURE RANGE STATED IN THE USER'S MANUAL.

DO NOT OPERATE THE UNIT IN AGGRESSIVE OR EXPLOSIVE ENVIRONMENTS.

DO NOT WASH THE UNIT WITH WATER.

PROTECT THE ELECTRIC PARTS OF THE UNIT AGAINST INGRESS OF WATER.

DISCONNECT THE UNIT FROM POWER MAINS PRIOR TO ANY TECHNICAL MAINTENANCE.

WHEN THE UNIT GENERATES UNUSUAL SOUNDS, ODOR, OR EMITS SMOKE, DISCONNECT IT FROM POWER SUPPLY AND CONTACT THE SELLER.

DO NOT DIRECT THE AIR FLOW PRODUCED BY THE UNIT TOWARDS OPEN FLAME OR IGNITION SOURCES.

IN CASE OF CONTINUOUS OPERATION OF THE UNIT, PERIODICALLY CHECK THE SECURITY OF MOUNTING.

USE THIS UNIT ONLY IN THE MANNER INTENDED BY THE MANUFACTURER. IF YOU HAVE QUESTIONS, CONTACT THE MANUFACTURER.

THE UNIT SHOULD NOT BE OPERATED BY CHILDREN OR PERSONS WITH REDUCED PHYSICAL, MENTAL, OR SENSORY CAPACITIES, OR THOSE WITHOUT THE APPROPRIATE TRAINING.

THE CHOICE OF UNIT INSTALLATION LOCATION MUST PREVENT UNAUTHORIZED ACCESS BY UNATTENDED CHILDREN.

READ THE USER'S MANUAL BEFORE INSTALLING THE UNIT.

INSTALLATION WORK AND ELECTRICAL WIRING MUST BE DONE BY QUALIFIED PERSON(S).

WHEN CUTTING OR DRILLING INTO WALL OR CEILING, DO NOT DAMAGE ELECTRICAL WIRING AND OTHER HIDDEN UTILITIES.

**DO NOT MOUNT ROOM-TO-ROOM FAN IN A FIRE-RATED WALL.
POWER OFF THE POWER SUPPLY PRIOR TO ANY OPERATIONS WITH THE UNIT.
THE UNIT MUST BE CONNECTED TO POWER SUPPLY BY A QUALIFIED
ELECTRICIAN.**

**THE RATED ELECTRICAL PARAMETERS OF THE UNIT ARE GIVEN ON THE
MANUFACTURER'S LABEL.**

**ANY TAMPERING WITH THE INTERNAL CONNECTIONS IS PROHIBITED
AND WILL VOID THE WARRANTY.**

**INSTALLATION ONLY BY EXPERTS AND ONLY IN ACCORDANCE WITH
LOCAL REQUIREMENTS AND NATIONAL ELECTRICAL CODE.**

**DISCONNECT THE UNIT FROM POWER SUPPLY BEFORE ANY MAINTENANCE
OPERATIONS!**

**ENSURE THAT THE UNIT IS SWITCHED OFF FROM THE SUPPLY MAINS BEFORE
REMOVING THE GUARD.**

**FOLLOWING THE REGULATIONS STIPULATED HEREIN WILL ENSURE A LONG
AND TROUBLE-FREE OPERATION OF THE UNIT.**

**USER'S WARRANTY CLAIMS SHALL BE SUBJECT TO REVIEW ONLY UPON
PRESENTATION OF THE UNIT, THE PAYMENT DOCUMENT AND THE USER'S
MANUAL WITH THE PURCHASE DATE STAMP.**

**TO REDUCE THE RISK OF FIRE, ELECTRIC SHOCK, OR INJURY TO PERSONS,
OBSERVE THE FOLLOWING:**

**USE THIS UNIT ONLY IN THE MANNER INTENDED BY THE MANUFACTURER. IF
YOU HAVE QUESTIONS, CONTACT THE MANUFACTURER.**

**BEFORE SERVICING OR CLEANING THE UNIT, SWITCH POWER OFF AT THE
SERVICE PANEL AND LOCK THE SERVICE DISCONNECTING MEANS TO
PREVENT POWER FROM BEING SWITCHED ON ACCIDENTALLY. WHEN THE
SERVICE DISCONNECTING MEANS CANNOT BE LOCKED, SECURELY FASTEN A
PROMINENT WARNING DEVICE, SUCH AS A TAG, TO THE SERVICE PANEL.**

**FOR GENERAL VENTILATING USE ONLY. DO NOT USE TO EXHAUST
HAZARDOUS OR EXPLOSIVE MATERIALS AND VAPORS.**



**THE PRODUCT MUST BE DISPOSED SEPARATELY AT
THE END OF ITS SERVICE LIFE.
DO NOT DISPOSE THE UNIT AS UNSORTED
DOMESTIC WASTE.**

PURPOSE**CAUTION!****FOR GENERAL VENTILATING USE ONLY.**

DO NOT USE TO EXHAUST HAZARDOUS OR EXPLOSIVE MATERIALS AND VAPORS AS WELL AS FLAMMABLE MIXTURES, EVAPORATION OF CHEMICALS, STICKY SUBSTANCES, FIBROUS MATERIALS, COARSE DUST, SOOT AND OIL PARTICLES OR ENVIRONMENTS FAVOURABLE FOR THE FORMATION OF HAZARDOUS SUBSTANCES (TOXIC SUBSTANCES, DUST, PATHOGENIC GERMS).

**FOR USE IN NON FIRE RATED INSTALLATIONS ONLY.
FOR USE IN ONE- AND TWO-FAMILY DWELLINGS ONLY.**

The air handling unit with heat recovery is designed for integration into central mechanical ventilation systems.

The unit is rated for continuous operation.

Transported air must not contain any flammable or explosive mixtures, evaporation of chemicals, sticky substances, fibrous materials, coarse dust, soot and oil particles or environments favourable for the formation of hazardous substances (toxic substances, dust, pathogenic germs).

DELIVERY SET

Name	Number
Unit	1 pc.
User's manual	1 pc.
Technical data sheet	1 pc.
Automation wiring	1 pc.
User's manual for automation	1 pc.
Packing box	1 pc.

DESIGNATION KEY

TM	Casing size	Core type	Installation	Nominal airflow	Installation execution	Heater type	Heat exchanger type	Cooling coil type	Service side	Controller
BLAUAIR	BL01 BL02 BL03 BL07 BL12	CF - counterflow Rt - rotary	P - ceiling H - double-deck V - vertical	1000 1200 1500 2500 3500 5000 6000 9000	_ - indoors /O - outdoors	HE - electric HW - water _ - no heater	E - enthalpy heat exchanger _ - sensible heat exchanger	CDX - DX-coil CW - water coil _ - no cooling	L - left R - right	A30 - Kvent with thTune A31 - Kvent A32 - Kvent with pGDE

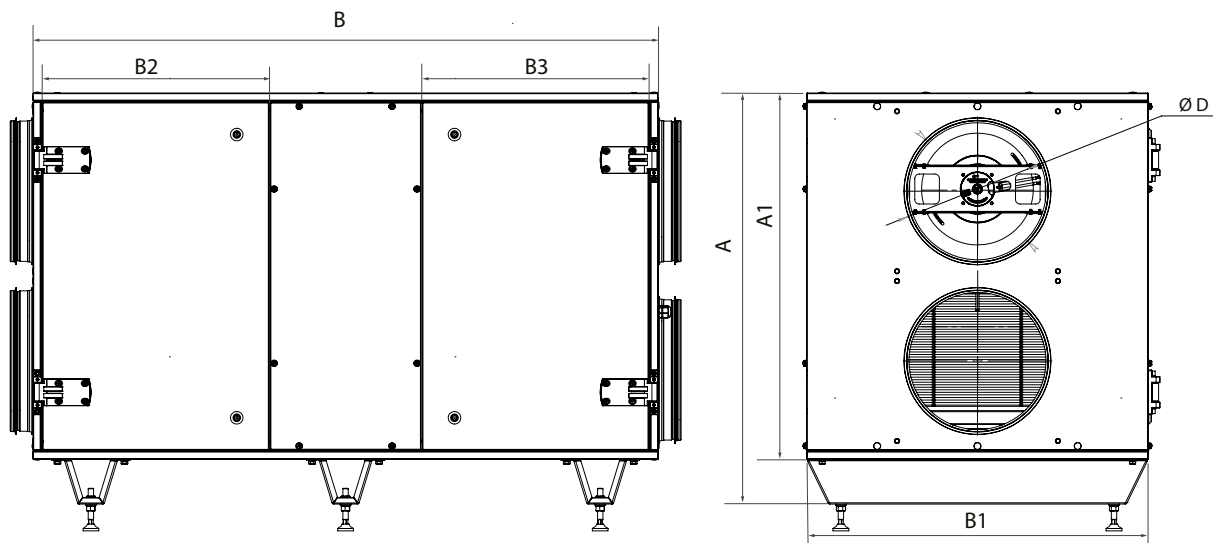
TECHNICAL DATA

The unit is designed for indoor or sheltered use. The installation conditions must prevent ingress of atmospheric precipitations and direct solar radiation at the ambient temperatures from -31 °F up to +122 °F The frost protection for the water drainage and connected pipelines must be provided during sub-zero ambient temperatures (if the unit is equipped with an air cooler). The heat medium temperature in the water heat exchangers (if available) must be sufficient to prevent its freezing. Hazardous parts access and water ingress protection rating:

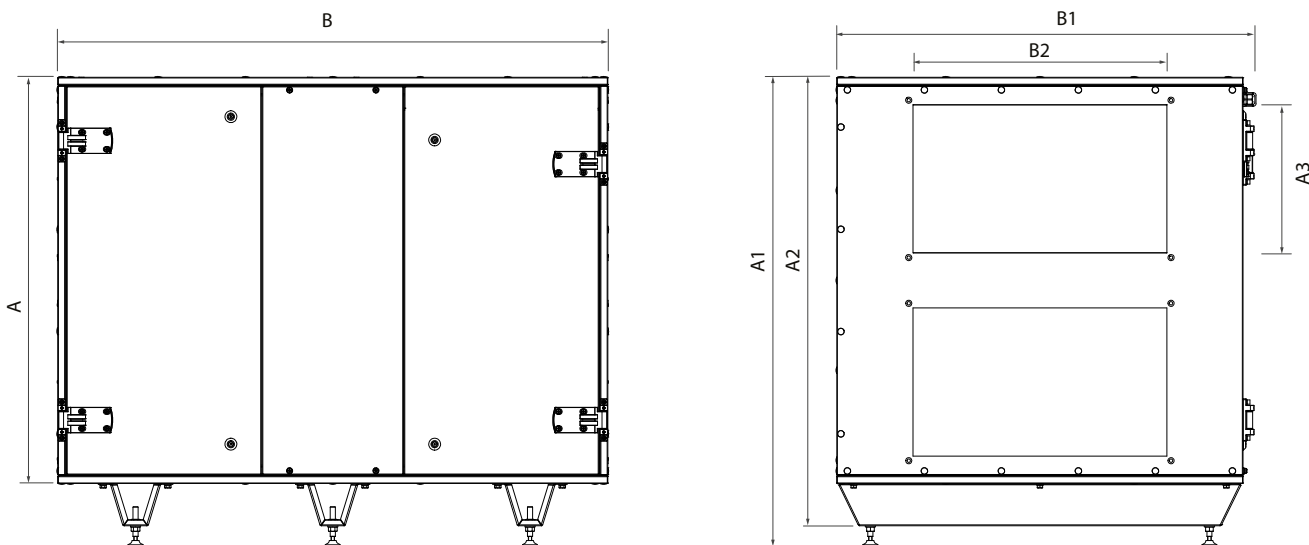
- IP54 for the unit motors
- IP42 for the assembled unit connected to the air ducts without extra cover or weather hoods
- IP44 for the assembled unit with connected air ducts, extra cover and weather hoods (specially ordered accessories)
- IP00 for the unit not connected to the air ducts

The unit design is constantly being improved, thus some models may be slightly different from those described in this manual.

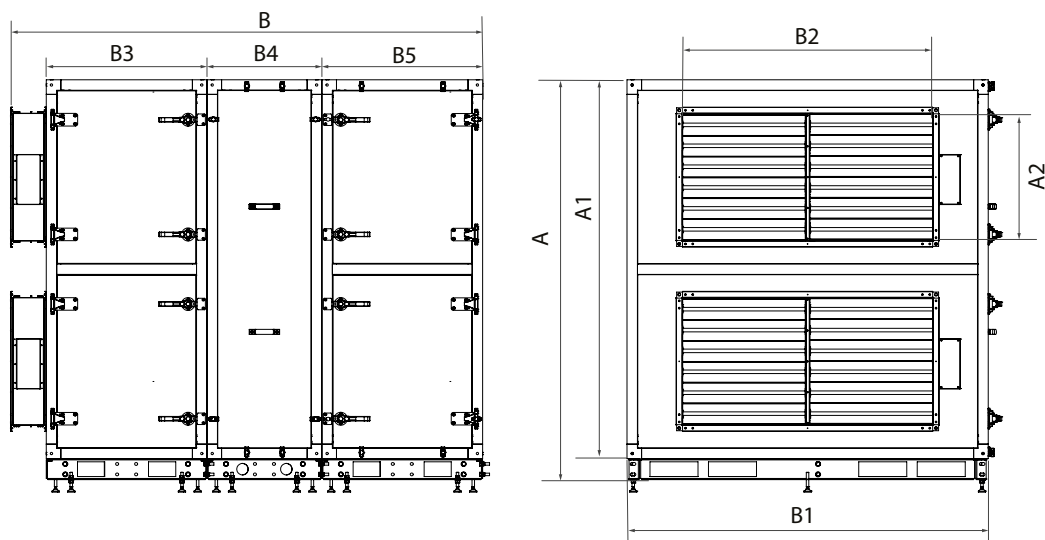
UNIT OVERALL DIMENSIONS, mm



Model	A	A1	B	B1	B2	B3	D
BL01 RtH 800(1200)	36.2	32.3	55.1	30.1	20.0	20.0	12.4



Model	A	A1	A2	A3	B	B1	B2
BL02 RtH 1500(2500)	37.8	43.7	41.7	13.8	51.2	37.8	23.6
BL03 RtH 3500	50.8	56.7	54.7	15.7	51.2	49.6	27.6
BL07 RtH 5000(6000)	55.9	61.8	59.8	19.7	75.2	54.7	39.4

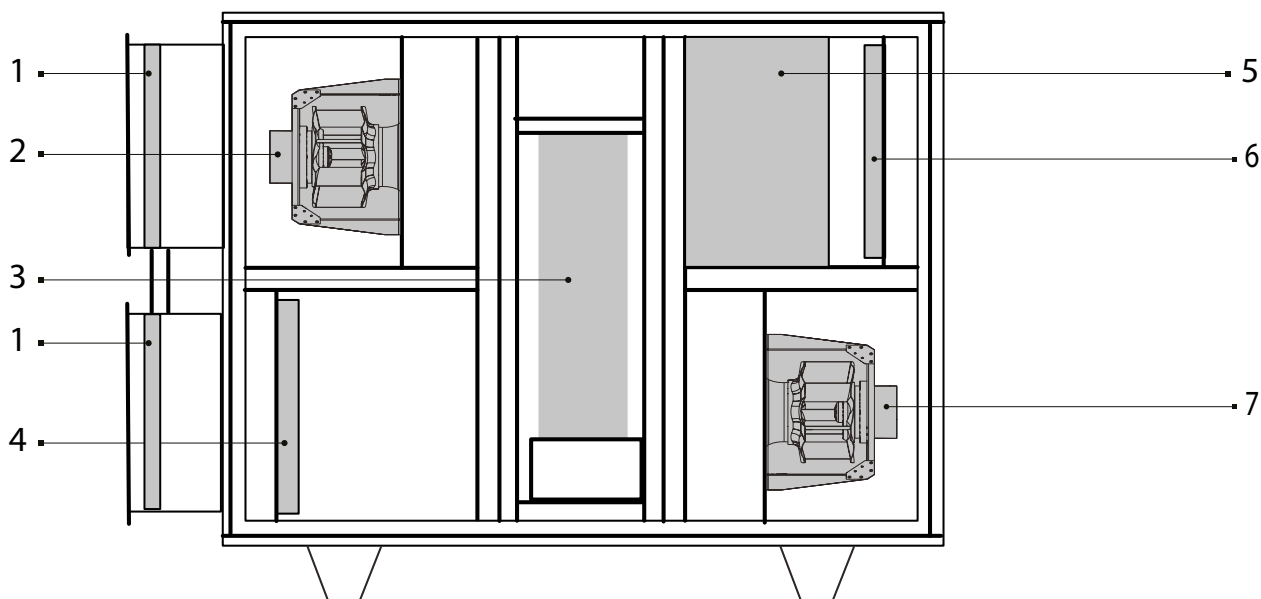


Model	A	A1	A2	B	B1	B2	B3	B4	B5
BL12 Rth 9000	75.4	71.5	23.6	89.0	68.1	47.2	30.3	21.7	30.3

The full technical data list is stated in the supplied technical data sheet.

UNIT DESIGN AND OPERATION LOGIC

UNIT DESIGN



- 1: protective dampers with electric actuator [optional]
- 2: extract fan
- 3: rotary heat exchanger
- 4: supply filter
- 5: control unit
- 6: extract filter
- 7: supply fan

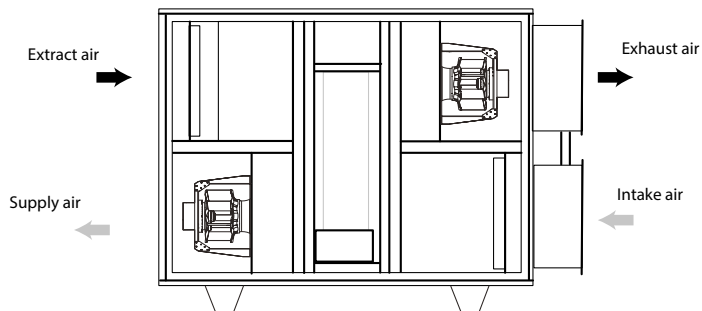
INSTALLATION AND SET-UP



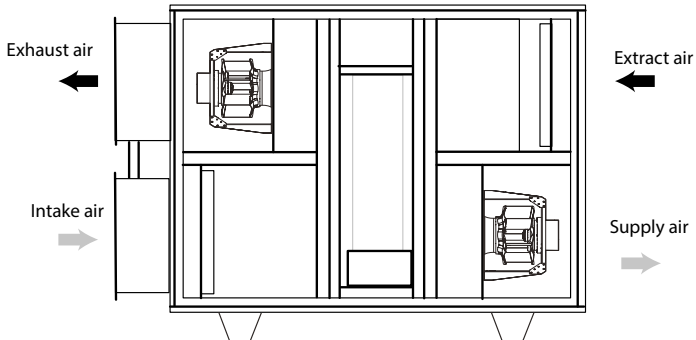
IF A UNIT HAVING PROVISION FOR CONNECTION OF A FRESH AIR DISCHARGE DUCT DOES NOT ALSO HAVE PROVISION FOR CONNECTION OF AN INDOOR AIR INTAKE DUCT, APPLICABLE INSTALLATION CODES MAY LIMIT THE UNIT TO INSTALLATION ONLY IN A SINGLE-STORY RESIDENCE.

The units are available in left- and right-sided modifications with the right or left service side. All the assembly units are accessible on the service side.

Left-sided modification (service side view)



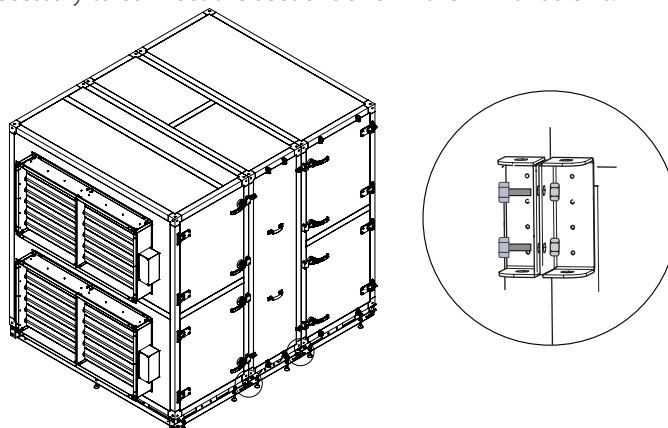
Right-sided modification (service side view)



Connection of the air ducts is shown with the stickers of the respective colours: yellow for the extract air duct, green for the intake air duct, red for the supply air duct and brown for the exhaust air duct.

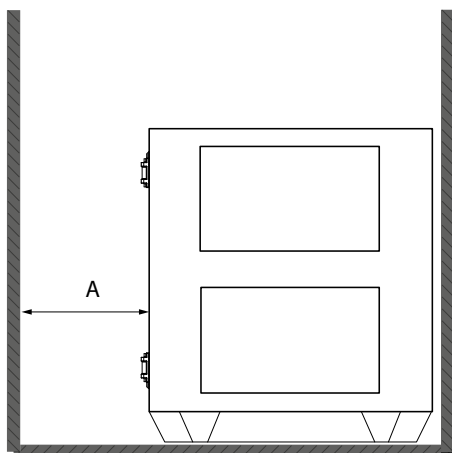
RtH 9000 units are supplied in sections.

Before installation of the unit it is necessary to connect the sections and fix them with screws.



During installation works sufficient maintenance and service access must be provided.

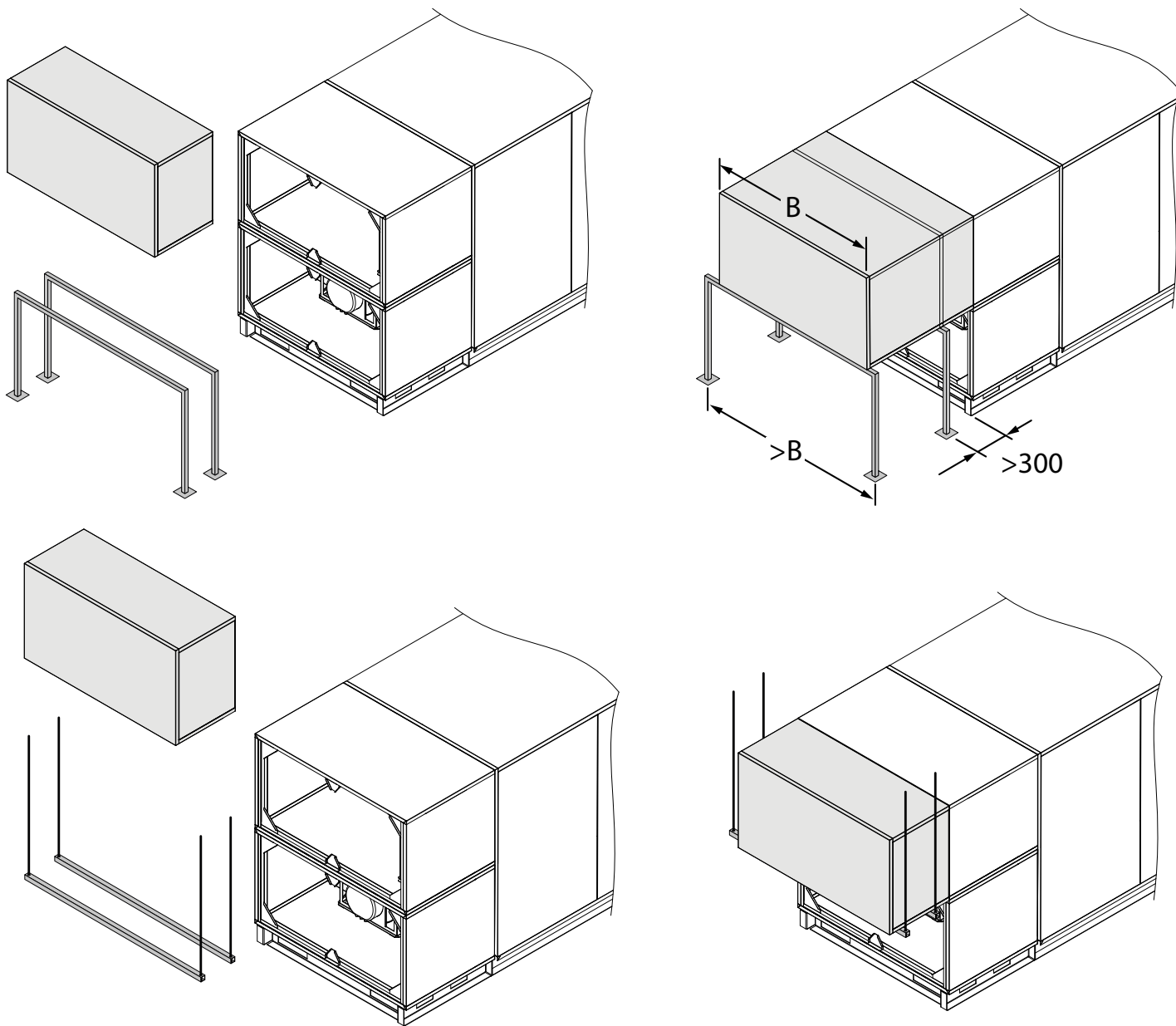
The recommended minimum distances from the unit to the walls are shown below.



Casing dimensions	A, mm
BL01 RtH	550
BL02 RtH	
BL03 RtH	
BL07 RtH	800
BL12 RtH	

The delivery set includes removable levelling feet to adjust horizontal levelling of the unit.

The design of the unit sections is such that they must not be cantilevered. Each section must be supported at the intended locations. The upper sections that protrude over the edge of the lower sections must be supported by a suitable structure (attachment/suspension elements are not included).



CONNECTION TO POWER MAINS

THE UNIT CONNECTION TO THE POWER SUPPLY MUST BE PERFORMED BY DULY QUALIFIED PERSONNEL MADE FAMILIAR WITH THE PRESENT OPERATION MANUAL.

THE UNIT IS INTENDED FOR CONNECTION TO AC MAINS SUPPLYING THE VOLTAGE COMPLIANT WITH THE TECHNICAL SPECIFICATION CHART. CHECK THE ENTIRE POWER CORD LENGTH FOR CHOKING. DO NOT SWITCH ON THE UNIT IF THE CABLE IS DAMAGED.

DISCONNECT THE UNIT FROM POWER SUPPLY PRIOR TO ANY OPERATIONS.

THE RATED ELECTRICAL PARAMETERS OF THE UNIT ARE STATED ON THE RATING PLATE.

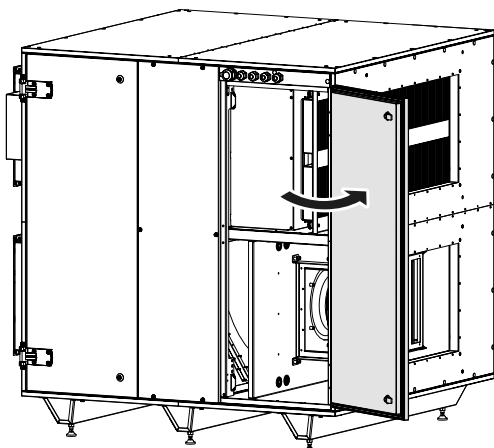


ANY TAMPERING WITH THE INTERNAL CONNECTIONS IS PROHIBITED AND WILL VOID THE WARRANTY.

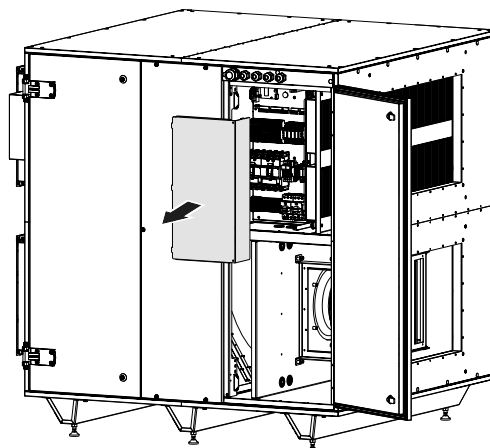
- The unit must be connected to power mains using durable, insulated and heat-resistant conductors (cables and wires). The actual wire cross section selection must be based on the maximum load current, maximum conductor temperature depending in the wire type, insulation, length and installation method.
- The external power input must be equipped with an automatic circuit breaker built into the stationary wiring to open the circuit in the event of overload or short-circuit. The position of the external automatic circuit breaker must ensure free access for quick power-off of the unit. The trip current of the automatic circuit breaker must exceed the maximum current consumption of the unit (refer to the "Technical data" section). The recommended trip current of the circuit breaker is the next current in the standard trip current row following the maximum current of the connected unit. The automatic circuit breaker is not included in the delivery set and can be ordered separately.

To connect the power cable, perform the following steps:

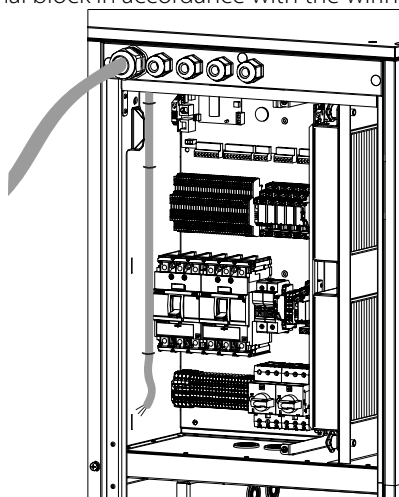
1. Open the service doors



2. Remove the service panel



3. Lead the power cable through the cable gland. Fix the power cable with clamps (not included in delivery and ordered separately) and connect it to the terminal block in accordance with the wiring diagram.



Reassemble the unit in the reverse order

TECHNICAL MAINTENANCE

WARNING – TO REDUCE THE RISK OF FIRE, ELECTRIC SHOCK, OR INJURY TO PERSONS, OBSERVE THE FOLLOWING:

BEFORE REMOVING THE FILTERS, SWITCH OFF THE EXTERNAL AUTOMATIC CIRCUIT BREAKER AND LOCK THE SERVICE DISCONNECTING MEANS, THEN OPEN THE HINGED SERVICE PANEL AND REMOVE THE FILTERS CAREFULLY.

IT IS POSSIBLE TO CLEAN FILTERS WITH A VACUUM CLEANER OR RINSE THEM WITH WATER AND DRY. MAKE SURE FILTERS ARE COMPLETELY DRY BEFORE THEY HAVE BEEN INSTALLED BACK INTO THE UNIT.

OPEN THE UNIT FOR INSPECTION AND SERVICE NOT LESS THAN 2 MINUTES AFTER COMPLETE DE-ENERGIZING OF THE UNIT.

THE FANS ROTATION MAY BE STILL PRESENT.

IN CASE OF ANY ABNORMAL NOISE, SMELL AND COMPONENT DEFORMATION IMMEDIATELY CUT OFF POWER SUPPLY TO THE UNIT AND CONTACT

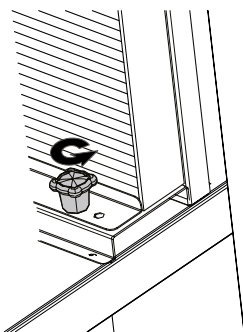
A SERVICE PROVIDER OR THE UNIT SELLER.



The unit operation requires regular inspection, dry cleaning of inner components, check-up and replacement of air filters in case of filter contamination. 3-6 months after commissioning of the unit it must be inspected by a service expert for planned preventive maintenance of the unit. Next maintenance operations must be conducted at least every 6-12 months.

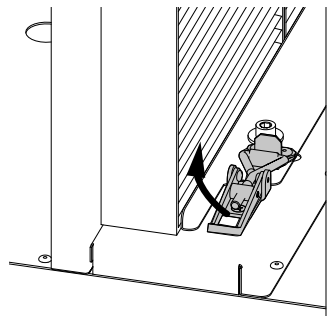
Maintenance periodicity is determined by a service expert depending on operation conditions of the unit. Dust deposits on the inner parts of the unit, especially in the electric heater, may lead to unpleasant odours. It is not a malfunction. Clean the unit to troubleshoot unpleasant odours.

Open the service doors to access the filters.



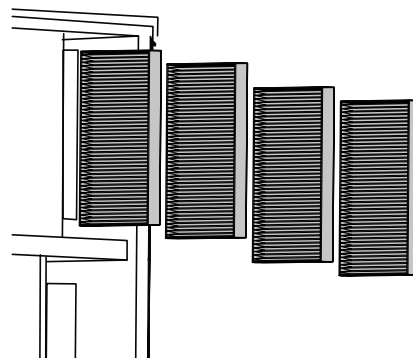
BL03

Remove the two butterfly bolts that fix the retaining clamp.



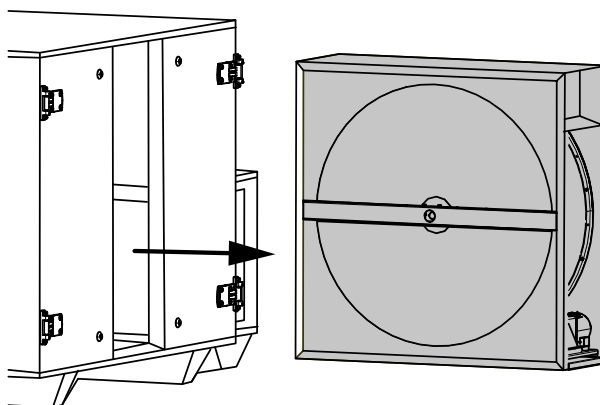
BL02

Open the two latches securing the pressure plate.



Remove the filter elements.

To access the heat exchanger remove the service panel. Disconnect the socket from the actuator. Pull the heat exchanger out.



STORAGE AND TRANSPORTATION REGULATIONS

- Store the unit in the manufacturer’s original packaging box in a dry closed ventilated premise with temperature range +41 °F...+104 °F at RH not exceeding 70%.
- Storage environment must not contain aggressive vapours and chemical mixtures provoking corrosion, insulation, and sealing deformation.
- Use suitable hoist machinery for handling and storage operations to prevent possible damage to the unit.
- Follow the handling requirements applicable for the particular type of cargo.
- The unit can be carried in the original packaging by any mode of transport provided proper protection against precipitation and mechanical damage. The unit can be transported only in the working position.
- Avoid sharp blows, scratches, or rough handling during loading and unloading.
- Prior to the initial power-up after transportation at sub-zero temperatures, allow the unit to warm up at operation temperatures for at least 3-4 hours.

MANUFACTURER'S WARRANTY

Production meets standard operating requirements in the USA and Canada.

Blauberg warrants to the original purchaser of the unit that it will be free from defects in materials or workmanship for a period of 24 months from the date of original purchase. The Blauberg warrants to the original purchaser of the unit that the integrated control unit will be free from defects in materials and workmanship for a period of 24 months from the date of original purchase.

THERE ARE NO OTHER WARRANTIES, EXPRESS OR IMPLIED, INCLUDING, BUT NOT LIMITED TO, IMPLIED WARRANTIES OF MERCHANTABILITY OR FITNESS FOR A PARTICULAR PURPOSE.

During the stated warranty period, Blauberg will, at its option, repair or replace, without charge, any product or part which is found to be defective under normal use and service. This warranty does not cover (a) normal maintenance and normal service or (b) any products or parts which have been subject to misuse, negligence, accident, improper maintenance or repair (other than by Blauberg), faulty installation or installation contrary to recommended installation instructions. Labor to remove and replace products is not covered. The duration of any implied warranty is limited to the time period specified for the express warranty. Some states do not allow limitations on how long an implied warranty lasts, so the above limitation may not apply to you.

BLAUBERG OBLIGATION TO REPAIR OR REPLACE, AT BLAUBERG OPTION, SHALL BE THE PURCHASER'S SOLE AND EXCLUSIVE REMEDY UNDER THIS WARRANTY. BLAUBERG SHALL NOT BE LIABLE FOR INCIDENTAL, CONSEQUENTIAL OR SPECIAL DAMAGES ARISING OUT OF OR IN CONNECTION WITH PRODUCT USE OR PERFORMANCE.

Some states do not allow the exclusion or limitations of incidental or consequential damages, so the above limitation or exclusion may not apply to you. This warranty gives you specific legal rights, and you may also have other rights which vary from state to state. This warranty supersedes all prior warranties. If proof of sales date is absent, warranty period is calculated from the production date. The unit can be exchanged at the following address:

Blauberg North America LLC
1501 Veterans Memorial Pkwy E, Ste. 202, Lafayette, IN 47905
Tel: (765) 780-7139
Fax: (661) 825-8895
info@blauberg-na.com

Please follow guidelines in this manual for product problem-free operation.



FOLLOWING THE REGULATIONS STIPULATED HEREIN WILL ENSURE A LONG AND TROUBLE-FREE OPERATION OF THE UNIT



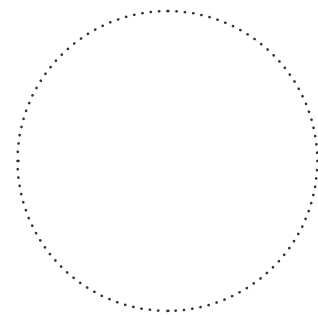
USER'S WARRANTY CLAIMS SHALL BE SUBJECT TO REVIEW ONLY UPON PRESENTATION OF THE UNIT, THE PAYMENT DOCUMENT AND THE USER'S MANUAL WITH THE PURCHASE DATE STAMP

CERTIFICATE OF ACCEPTANCE

Unit Type	Air handling unit
Model	
Serial Number	
Manufacture Date	
Quality Inspector's Stamp	

SELLER INFORMATION

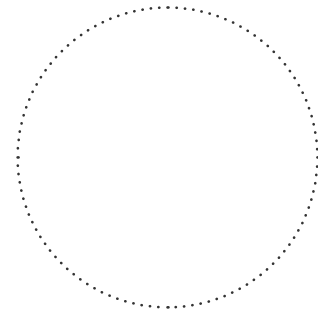
Seller	
Address	
Phone Number	
E-mail	
Purchase Date	
This is to certify acceptance of the complete unit delivery with the user's manual. The warranty terms are acknowledged and accepted.	
Customer's Signature	



Seller's Stamp

INSTALLATION CERTIFICATE

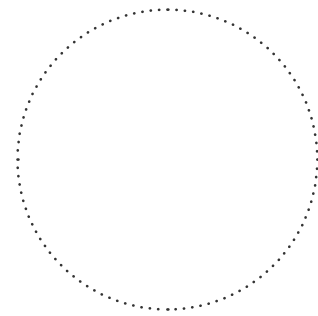
The _____ unit is installed pursuant to the requirements stated in the present user's manual.	
Company name	
Address	
Phone Number	
Installation Technician's Full Name	
Installation Date:	Signature:
The unit has been installed in accordance with the provisions of all the applicable local and national construction, electrical and technical codes and standards. The unit operates normally as intended by the manufacturer.	
Signature:	



Installation Stamp

WARRANTY CARD

Unit Type	Air handling unit
Model	
Serial Number	
Manufacture Date	
Purchase Date	
Warranty Period	
Seller	



Seller's Stamp

