

RC BL Kit

Roof curb

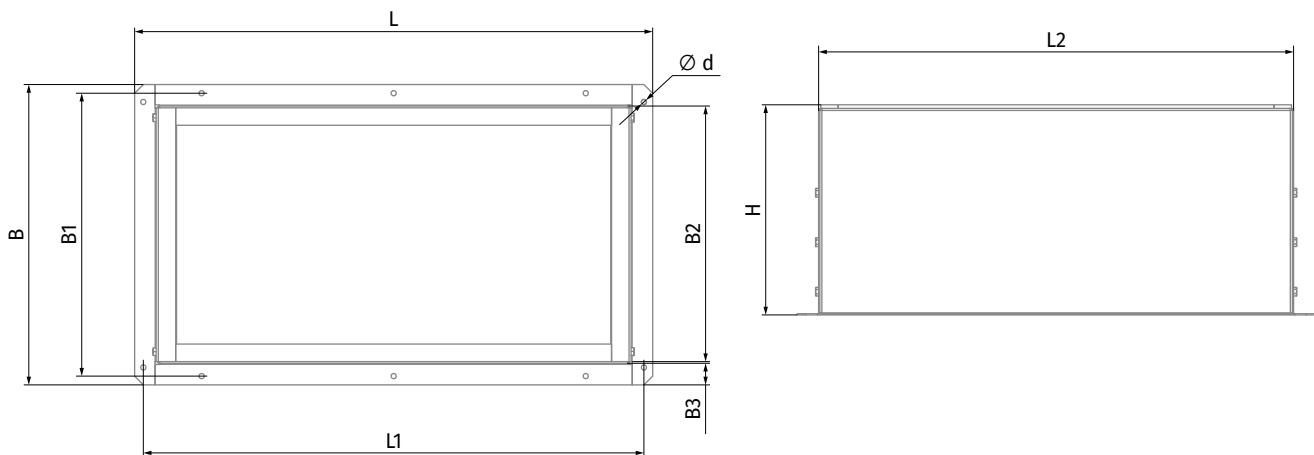
Description

- The roof curb serves as a stable and rigid mounting base for outdoor air handling units, ensuring secure installation and optimal load distribution.
- Manufactured from steel, it provides long-term resistance to weather conditions and mechanical stress.
- The roof curb kit is supplied as components — a base frame and curb — that can be quickly assembled on site, allowing easy and efficient installation.
- The base frame includes dedicated lifting openings to facilitate safe and convenient hoisting of the unit onto the roof.
- Note: The base frame can be ordered separately. When the roof curb is ordered, it is supplied as a complete roof curb kit, including both the curb and the base frame.



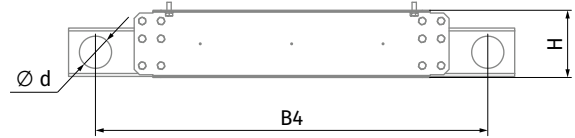
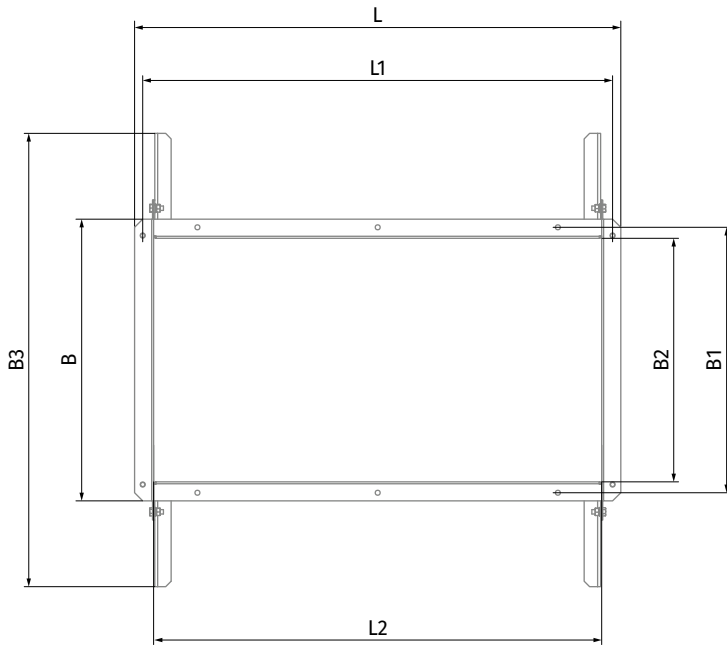
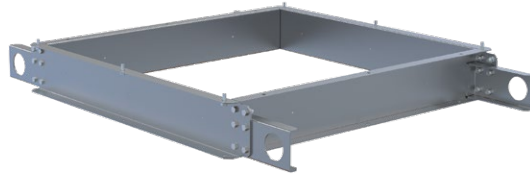
Dimensions [in]

Type	B	B1	B2	B3	H	L	L1	L2	Ø d	BlauLite size
RC BL 5, 8	20	19	17	1	14	35	34	32	0.36	5; 8
RC BL 13, 17	32	31	29	1	14	35	34	32	0.36	13; 17
RC BL 25	44	42	41	1	14	33	32	31	0.36	25



Dimensions [in]

Type	B	B1	B2	B3	B4	H	L	L1	L2	Ø d	BlauLite size
BF BL 5, 8	20	19	18	33	29	5	35	34	32	2	5; 8
BF BL 13, 17	32	31	30	45	41	5	35	34	32	2	13; 17
BF BL 25	44	43	41	56	52	5	34	32	31	2	25



ACCESSORIES