

SL BL H

Dampers

Description

- Multi-blade damper for air flow control or cut-off in rectangular air ducts.
- Compatible with duct sizes 14x8, 20x8, 30x8 in.

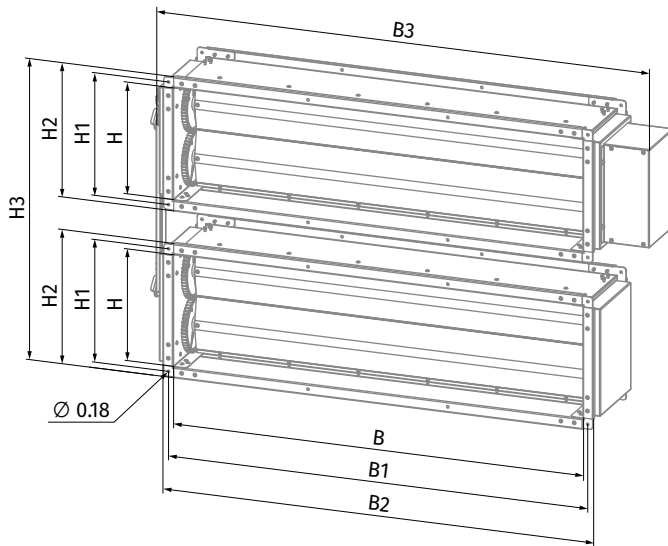


Design

- The housing made of galvanized steel. The aluminium blades driven by plastic gearwheels. Lever with removable metal handle and fixing clamp.
- Universal shaft for automatic actuator. Compatible actuators are shown in the table below (available upon separate order). For actuator connection the metal handle should be removed from the shaft.

Dimensions [in]

Type	B	B1	B2	B3	H	H1	H2	H3	L	BlauLite size
SL BL H14x8	14	15	16	21	8	9	10	22	7	5; 8
SL BL H20x8	20	21	22	27	8	9	10	22	7	13; 17
SL BL H30x8	30	31	32	37	8	9	10	22	7	25

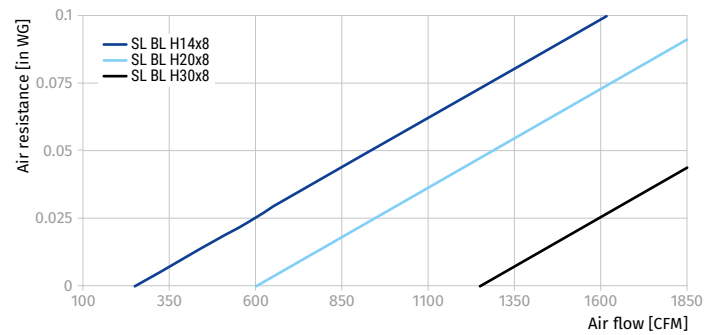


Application

- Standard connection flange for rectangular air ducts or other ventilation system components. Flanges should be connected with galvanized bolts and clamps.

Compatible Belimo actuator

Model	Actuator type
SL BL H14x8	LM24A-TP
SL BL H20x8	LM24A-TP
SL BL H30x8	LM24A-TP



Designation key

Series	Flange dimensions [mm]
SL BL H	14x8; 20x8; 30x8