

Iso-Mix 100

Inline centrifugal fan

Description

- Iso-Mix sound-insulated inline mixed-flow fans are designed for residential and commercial ventilation applications.
- Special inner perforation of the casing and sound-insulating material are designed for wide-frequency sound absorbing.
- Mixed-flow impeller made of high-quality plastic.
- The diffuser, the specially profiled impeller and directing vanes provide high performance and powerful pressure combined with low noise operation.
- External airtight terminal block on the fan casing for power supply.
- Mounting brackets on the fan casing for mounting to the floor, to the wall or ceiling.



Casing

- The casing is made of polymer-coated steel, internally filled with 50 mm mineral wool thermal- and sound-insulating layer.

Motor

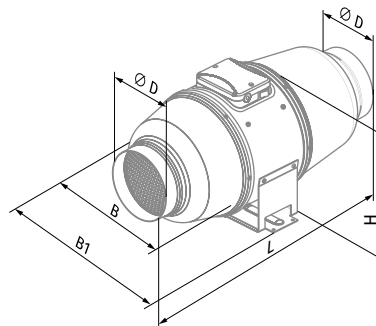
- Double-speed single-phase high-efficient motor with low energy demand on ball bearings.
- Overheating protection by built-in thermal switches.
- Motor ingress protection rating IPX4.

Suitable for:

- Bathroom exhaust;
- Kitchen ventilation;
- Living area;
- Whole house ventilation;
- Workshops & smoking areas;
- Offices;
- Bars & restaurants;
- Warehouses;
- Duct boosting.

Overall dimensions [in]

Type	Duct dia	Ø D	B	B1	L	H
Iso-Mix 100	4"	3 7/8"	8 7/16"	9 9/16"	19 7/8"	9 5/16"



Technical data

Model	Duct dia	Speed	RPM*	Sones	Watts*	Amps*	CFM vs. Static Pressure (Ps) in WG										Volts/Hz	
							0	0.1	0.2	0.3	0.4	0.5	0.6	0.7	0.8	0.9		1
Iso-Mix 100	4"	high	2363	1.2	28	0.24	128	113	97	76	56	32	10	-	-	-	-	120/60
		low	2065	0.3	22	0.2	99	81	62	40	12	-	-	-	-	-		

* The parameters RPM, Watts, Amps are indicated at 0.2 in WG static pressure.

MODEL	QUANTITY	COMMENTS	PROJECT
			location:
			architect:
			engineer:
			contractor:
			submitted by:

Iso-Mix 125

Inline centrifugal fan

Description

- Iso-Mix sound-insulated inline mixed-flow fans are designed for residential and commercial ventilation applications.
- Special inner perforation of the casing and sound-insulating material are designed for wide-frequency sound absorbing.
- Mixed-flow impeller made of high-quality plastic.
- The diffuser, the specially profiled impeller and directing vanes provide high performance and powerful pressure combined with low noise operation.
- External airtight terminal block on the fan casing for power supply.
- Mounting brackets on the fan casing for mounting to the floor, to the wall or ceiling.



Casing

- The casing is made of polymer-coated steel, internally filled with 50 mm mineral wool thermal- and sound-insulating layer.

Motor

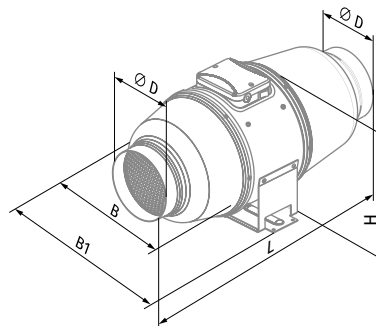
- Double-speed single-phase high-efficient motor with low energy demand on ball bearings.
- Overheating protection by built-in thermal switches.
- Motor ingress protection rating IPX4.

Suitable for:

- Bathroom exhaust;
- Kitchen ventilation;
- Living area;
- Whole house ventilation;
- Workshops & smoking areas;
- Offices;
- Bars & restaurants;
- Warehouses;
- Duct boosting.

Overall dimensions [in]

Type	Duct dia	Ø D	B	B1	L	H
Iso-Mix 125	5"	4 13/16"	8 7/16"	9 9/16"	18 11/16"	9 5/16"



Technical data

Model	Duct dia	Speed	RPM*	Sones	Watts*	Amps*	CFM vs. Static Pressure (Ps) in WG											Volts/Hz
							0	0.1	0.2	0.3	0.4	0.5	0.6	0.7	0.8	0.9	1	
Iso-Mix 125	5"	high	2303	0.9	35	0.3	188	174	158	130	94	60	30	0	-	-	-	120/60
		low	1990	0.4	23	0.22	116	90	68	38	0	-	-	-	-	-		

* The parameters RPM, Watts, Amps are indicated at 0.2 in WG static pressure.

MODEL	QUANTITY	COMMENTS	PROJECT
			location:
			architect:
			engineer:
			contractor:
			submitted by:

Iso-Mix 150

Inline centrifugal fan

Description

- Iso-Mix sound-insulated inline mixed-flow fans are designed for residential and commercial ventilation applications.
- Special inner perforation of the casing and sound-insulating material are designed for wide-frequency sound absorbing.
- Mixed-flow impeller made of high-quality plastic.
- The diffuser, the specially profiled impeller and directing vanes provide high performance and powerful pressure combined with low noise operation.
- External airtight terminal block on the fan casing for power supply.
- Mounting brackets on the fan casing for mounting to the floor, to the wall or ceiling.



Casing

- The casing is made of polymer-coated steel, internally filled with 50 mm mineral wool thermal- and sound-insulating layer.

Motor

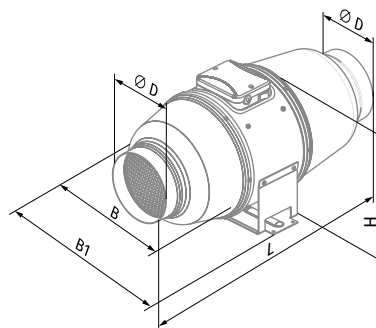
- Double-speed single-phase high-efficient motor with low energy demand on ball bearings.
- Overheating protection by built-in thermal switches.
- Motor ingress protection rating IPX4.

Suitable for:

- Bathroom exhaust;
- Kitchen ventilation;
- Living area;
- Whole house ventilation;
- Workshops & smoking areas;
- Offices;
- Bars & restaurants;
- Warehouses;
- Duct boosting.

Overall dimensions [in]

Type	Duct dia	Ø D	B	B1	L	H
Iso-Mix 150	6"	5 13/16"	9 3/4"	10 13/16"	22 13/16"	10 1/4"



Technical data

Model	Duct dia	Speed	RPM*	Sones	Watts*	Amps*	CFM vs. Static Pressure (Ps) in WG										Volts/Hz	
							0	0.1	0.2	0.3	0.4	0.5	0.6	0.7	0.8	0.9		1
Iso-Mix 150	6"	high	2570	2.0	67	0.55	327	314	299	284	266	245	224	190	140	89	48	120/60
		low	1847	0.7	53	0.45	240	220	192	171	135	111	86	56	28	5	-	

* The parameters RPM, Watts, Amps are indicated at 0.2 in WG static pressure.

MODEL	QUANTITY	COMMENTS	PROJECT
			location:
			architect:
			engineer:
			contractor:
			submitted by:

Iso-Mix 200

Inline centrifugal fan

Description

- Iso-Mix sound-insulated inline mixed-flow fans are designed for residential and commercial ventilation applications.
- Special inner perforation of the casing and sound-insulating material are designed for wide-frequency sound absorbing.
- Mixed-flow impeller made of high-quality plastic.
- The diffuser, the specially profiled impeller and directing vanes provide high performance and powerful pressure combined with low noise operation.
- External airtight terminal block on the fan casing for power supply.
- Mounting brackets on the fan casing for mounting to the floor, to the wall or ceiling.



Casing

- The casing is made of polymer-coated steel, internally filled with 50 mm mineral wool thermal- and sound-insulating layer.

Motor

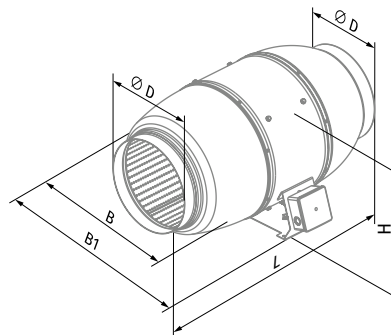
- Double-speed single-phase high-efficient motor with low energy demand on ball bearings.
- Overheating protection by built-in thermal switches.
- Motor ingress protection rating IPX4.

Suitable for:

- Bathroom exhaust;
- Kitchen ventilation;
- Living area;
- Whole house ventilation;
- Workshops & smoking areas;
- Offices;
- Bars & restaurants;
- Warehouses;
- Duct boosting.

Overall dimensions [in]

Type	Duct dia	Ø D	B	B1	L	H
Iso-Mix 200	8"	7 13/16"	11 9/16"	15 3/16"	20 7/16"	11 5/8"



Technical data

Model	Duct dia	Speed	RPM*	Sones	Watts*	Amps*	CFM vs. Static Pressure (Ps) in WG											Volts/Hz
							0	0.1	0.2	0.3	0.4	0.5	0.6	0.7	0.8	0.9	1	
Iso-Mix 200	8"	high	2303	2.0	111	0.93	473	455	432	405	379	352	313	274	221	155	89	120/60
		low	1990	0.7	70	0.58	349	323	294	249	203	158	108	57	26	13	0	

* The parameters RPM, Watts, Amps are indicated at 0.2 in WG static pressure.

MODEL	QUANTITY	COMMENTS	PROJECT
			location:
			architect:
			engineer:
			contractor:
			submitted by:

Iso-Mix 250

Inline centrifugal fan

Description

- Iso-Mix sound-insulated inline mixed-flow fans are designed for residential and commercial ventilation applications.
- Special inner perforation of the casing and sound-insulating material are designed for wide-frequency sound absorbing.
- Mixed-flow impeller made of high-quality plastic.
- The diffuser, the specially profiled impeller and directing vanes provide high performance and powerful pressure combined with low noise operation.
- External airtight terminal block on the fan casing for power supply.
- Mounting brackets on the fan casing for mounting to the floor, to the wall or ceiling.



Casing

- The casing is made of polymer-coated steel, internally filled with 50 mm mineral wool thermal- and sound-insulating layer.

Motor

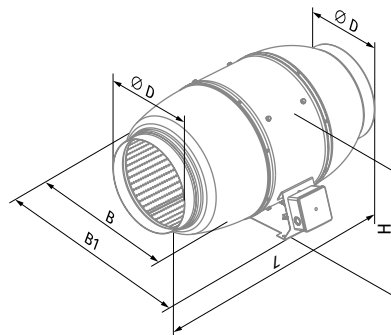
- Double-speed single-phase high-efficient motor with low energy demand on ball bearings.
- Overheating protection by built-in thermal switches.
- Motor ingress protection rating IPX4.

Suitable for:

- Bathroom exhaust;
- Kitchen ventilation;
- Living area;
- Whole house ventilation;
- Workshops & smoking areas;
- Offices;
- Bars & restaurants;
- Warehouses;
- Duct boosting.

Overall dimensions [in]

Type	Duct dia	Ø D	B	B1	L	H
Iso-Mix 250	10"	9 3/4"	14 1/16"	17 1/2"	25 3/16"	14 3/16"



Technical data

Model	Duct dia	Speed	RPM*	Sones	Watts*	Amps*	CFM vs. Static Pressure (Ps) in WG											Volts/Hz
							0	0.1	0.2	0.3	0.4	0.5	0.6	0.7	0.8	0.9	1	
Iso-Mix 250	10"	high	2570	4.0	200	1.68	880	874	866	858	850	842	832	821	794	751	708	120/60
		low	1847	2.0	130	1.11	655	648	630	608	587	565	531	497	450	390	330	

* The parameters RPM, Watts, Amps are indicated at 0.2 in WG static pressure.

MODEL	QUANTITY	COMMENTS	PROJECT
			location:
			architect:
			engineer:
			contractor:
			submitted by:

Iso-Mix 315

Inline centrifugal fan

Description

- Iso-Mix sound-insulated inline mixed-flow fans are designed for residential and commercial ventilation applications.
- Special inner perforation of the casing and sound-insulating material are designed for wide-frequency sound absorbing.
- Mixed-flow impeller made of high-quality plastic.
- The diffuser, the specially profiled impeller and directing vanes provide high performance and powerful pressure combined with low noise operation.
- External airtight terminal block on the fan casing for power supply.
- Mounting brackets on the fan casing for mounting to the floor, to the wall or ceiling.



Casing

- The casing is made of polymer-coated steel, internally filled with 50 mm mineral wool thermal- and sound-insulating layer.

Motor

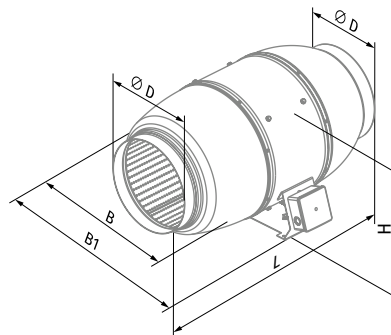
- Double-speed single-phase high-efficient motor with low energy demand on ball bearings.
- Overheating protection by built-in thermal switches.
- Motor ingress protection rating IPX4.

Suitable for:

- Bathroom exhaust;
- Kitchen ventilation;
- Living area;
- Whole house ventilation;
- Workshops & smoking areas;
- Offices;
- Bars & restaurants;
- Warehouses;
- Duct boosting.

Overall dimensions [in]

Type	Duct dia	Ø D	B	B1	L	H
Iso-Mix 315	12"	12 5/16"	17"	20 1/2"	31 7/8"	17 1/16"



Technical data

Model	Duct dia	Speed	RPM*	Sones	Watts*	Amps*	CFM vs. Static Pressure (Ps) in WG											Volts/Hz
							0	0.1	0.2	0.3	0.4	0.5	0.6	0.7	0.8	0.9	1	
Iso-Mix 315	12 3/8"	high	2570	3.5	353	2.95	1050	1026	999	971	942	914	884	853	823	794	764	120/60
		low	1847	2.0	236	1.95	830	804	770	726	682	638	581	524	464	399	335	

* The parameters RPM, Watts, Amps are indicated at 0.2 in WG static pressure.

MODEL	QUANTITY	COMMENTS	PROJECT
			location:
			architect:
			engineer:
			contractor:
			submitted by: