




# ULTRA

## Centrifugal Fans

Centrifugal exhaust low-noise and low-energy fans for ceiling mounting

-  **Air flow:**  
up to 242 CFM
-  **Power:**  
from 62 W
-  **Noise level:**  
from 1.5 Sones



### Features



- Intermittent or continuous ventilation of bathrooms, showers, kitchens and other utility spaces.
- For high-resistant ventilation systems.
- Low noise level.
- The centrifugal impeller has forward-curved blades for high pressure and low noise.
- Easiest installation and further maintenance possible.
- The fans also feature a gravity backdraft damper.
- Ingress protection rating IPX4.
- Compatible with Ø 6" air ducts.
- Removable decorative panels available in matte black and white colors.



DP Ultra 250 Square



DP Ultra 250 Square Black

### Motor

- The maintenance-free motor bearings are sufficiently greased for all motor service life and engineered for over 40 000 operating hours of trouble-free operation.

### Design

- The motor impeller is made from high-quality and durable ABS-plastic.

### Options

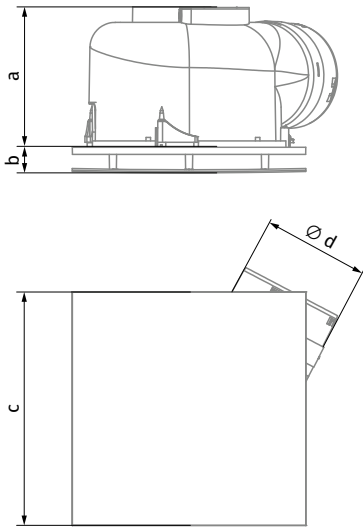


- **Turn-off delay timer**
  - Adjustable delay from 2 to 30 min.

Model	Ultra 250
Option	T
Turn-off delay timer	•



**Overall dimensions**



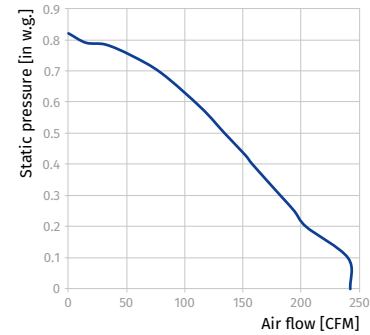
Dimensions [in (mm)]	a	b	c	Ø d
Ultra 250 Square	7 3/4 (198)	1 1/2 (38)	13 (330)	5 7/8 (148)

Designation key			
Ultra	250	Square	T
Series	Rated air flow [m³/h]	Decorative panel form	Option

**Technical data**

Model	Ultra 250
Voltage [V/Hz]	120/60
Power [W]	62
Current [A]	0.56
RPM [min <sup>-1</sup> ]	1085
Air flow [CFM]	242
Sound pressure level [Sones]*	1.5

\* Indicated at 0.1 in.W.G.



**Mounting**



**Accessories**

Duct system	Flexible air ducts	Grilles and hoods	Speed controllers	Clamps
 BlauPlast	 BlauFlex	 Decor, GM	 CDT E1.8	 K, KZ