

CEILEO 130 LIGHT H

CEILING BATH FAN

Description

- The Ceileo fans are centrifugal exhaust fans for ceiling mounting in bathrooms and other utility spaces.
- The Ceileo fans are designed for long duct runs. The fans are compatible with 4" and 6" air ducts.



Benefits

- Low noise level
- Reliable asynchronous double-speed motor
- Adjustable turn-off delay timer
- Connected humidity sensor
- Energy-efficient LED light
- Adjustable mounting brackets

Specification

- Voltage: 120 V, 60 Hz
- Motor: AC motor
- Power consumption: 23 - 35 W
- Sones: 0.8 - 0.5
- Airflow capacity: up to 155 CFM
- Duct compatibility: Ø 4" and 6"
- IPX4 protection
- Five-year warranty

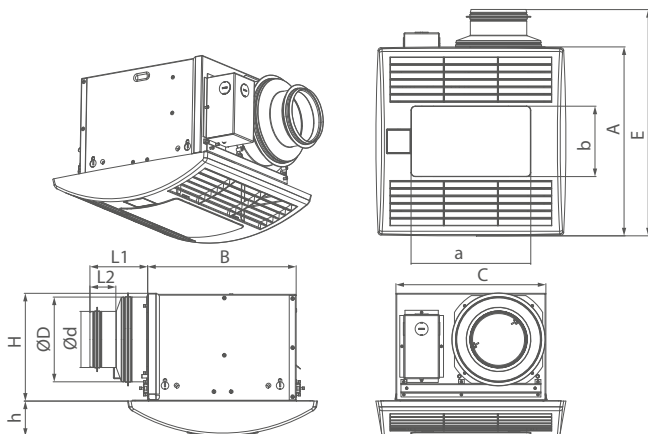
Performance

SEC CLASS	Duct Dia	Speed	Energy Star qualified	Watts*	Amps*	RPM*	Sones*	CFM vs. Static Pressure in.W.G.							Max. Ps	Volts/Hz
								0"	0.1"	0.2"	0.25"	0.3"	0.4"	0.5"		
C	4"/6"	HS	V	35	0.3	1100	0.8	155	136	112	104	94	72	40	0.6	120/60
		LS		23	0.2	840	0.5	105	83	67	57	45	20	-	0.47	

* Indicated at 0.1 in.W.G.

Overall dimensions [in]

Model	D	d	L1	L2	A	B	C	E	H	h	a	b
Ceileo 130 Light H	5 ⁵³ / ₆₄	3 ⁵⁵ / ₆₄	3 ¹⁵ / ₁₆	1 ⁴⁹ / ₆₄	12 ⁶³ / ₆₄	10 ⁵ / ₃₂	10 ¹⁵ / ₆₄	15 ³⁵ / ₆₄	7 ¹³ / ₃₂	2 ⁷ / ₁₆	8 ³ / ₁₆	4 ²⁷ / ₃₂



MODEL	QUANTITY	COMMENTS	PROJECT
			location:
			architect:
			engineer:
			contractor:
			submitted by: