

## DESCRIPTION



# ERV D 120

## ENERGY RECOVERY VENTILATOR

ERV D 120 are the complete whole house ventilation system designed to bring a continuous supply of fresh air into the house while exhausting an equal amount of stale air.

Five year warranty.

## CASING

Steel casing is covered with high-quality multilayer aluminum and zinc alloy to prevent corrosion.

The casing is equipped with a switch to turn the ventilator off when the service panel is opened.

## FILTER

Washable MERV 6 air filters in exhaust and supply air streams. Optional supply: anti grease aluminum filter.

## FANS

The unit is equipped with supply and exhaust centrifugal fans with forward curved blades and build-in thermal overheating protection with automatic restart. The electric motors and impellers are dynamically balanced.

## ENERGY RECOVERY CORE

Enthalpic core (ERV D 120) provides both heat&humidity recovery. For enthalpic core no drain required.



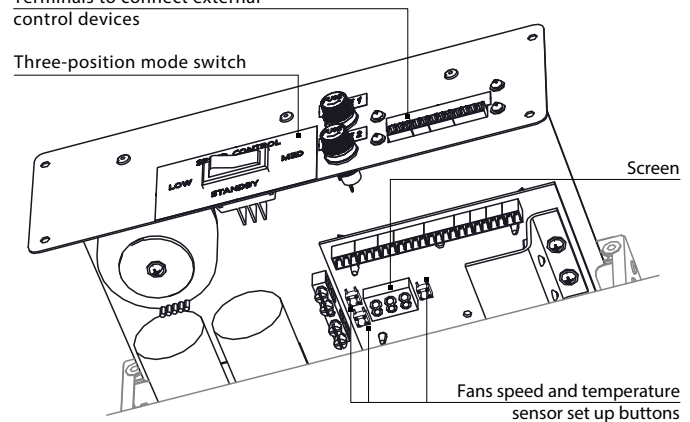
## DEFROST SYSTEM

To protect the Energy Recovery Core, an antifreeze electronic protection system is applied. It switches the supply fan off according to the temperature sensor settings. Warm extract air defrosts the ERV core then the supply fan switches on and the ventilator continues operating under rated conditions.

## CONTROL BOARD

Terminals to connect external control devices

Three-position mode switch



The unit incorporates an integrated control system with following functions:

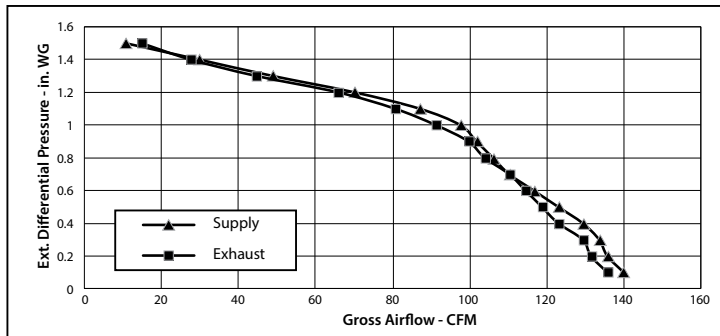
- Operation mode switch.
- Airflow balancing enabled by supply and exhaust fan independent speed adjustment from 0 to 100% (percentage is displayed on built in screen).
- Automatic recovery core frost protection.
- External control device connection (up to 5 at the same time).

## SUITABLE FOR:

Bathroom / kitchen / apartments / cottages / small offices.

PERFORMANCE

External Static Pressure		Net Supply Air Flow		Gross Air Flow				Power
				Supply		Exhaust		
Pa	in. W.G.	L/s	CFM	L/s	CFM	L/s	CFM	Watts
25	0.1	63	134	66	140	64	136	156
50	0.2	61	130	64	136	62	131	155
75	0.3	60	128	63	133	61	129	153
100	0.4	59	124	61	129	58	123	152
125	0.5	56	118	58	123	56	119	151
150	0.6	53	112	55	117	54	114	149
175	0.7	50	106	52	110	52	110	147
200	0.8	48	102	50	106	49	104	146
225	0.9	46	98	48	102	47	100	145
250	1	44	94	46	97	43	91	143
275	1.1	39	83	41	87	38	81	140
300	1.2	32	67	33	70	31	66	135
325	1.3	22	47	23	49	21	44	130
350	1.4	13	28	14	30	13	28	127
375	1.5	7	14	5	11	7	15	126

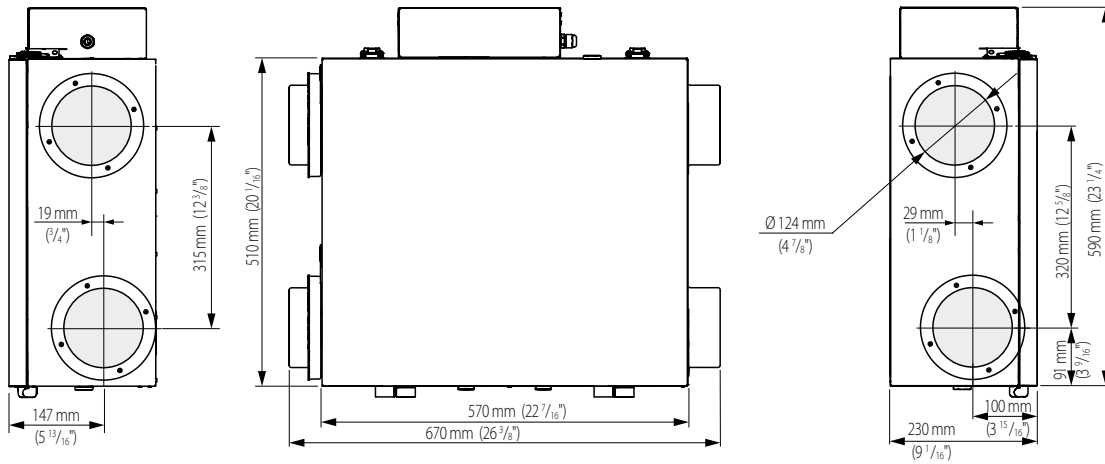


SOUND  
1.5 Sones (30 L/s @ 50 Pa)

MODE	SUPPLY TEMPERATURE		NET AIR FLOW		AVERAGE POWER	SENSIBLE RECOVERY EFFICIENCY	APPARENT SENSIBLE EFFECTIVENESS	NET MOISTURE TRANSFER
	°C	°F	L/s	CFM	(Watts)	SRE (%)	ASEF (%)	
HEATING	0	32	30	64	85	63	74	0.42
	0	32	45	95	114	60	70	0.36
	0	32	50	106	128	59	69	0.34
COOLING	35	95	30	64	85	40	62	0.34

Model	Volts	Max. Watts	Max. Amps
ERV D 120	120V, 60Hz	156	1.3

**DIMENSIONS**



MODEL	QUANTITY	COMMENTS	PROJECT
			location:
			architect:
			engineer:
			contractor:
			submitted by:

