

## DESCRIPTION



# ERV EC D 80

## ENERGY RECOVERY VENTILATOR

ERV EC D 80 is a complete whole house ventilation system designed to bring a continuous supply of fresh air into the house while exhausting an equal amount of stale air.

Five year warranty.

## CASING

Steel casing is covered with high-quality multilayer aluminium and zinc alloy to prevent corrosion.

The casing is equipped with a switch to turn the ventilator off when the service panel is opened.

## FILTER

Washable MERV 6 air filters in exhaust and supply air streams. Optional supply: anti grease aluminum filter.

## FANS

High efficient electronically commutated motors with external motor and impeller with backward curved blades. EC motors are featured with high performance and total speed controllable range. The electric motors and impellers are dynamically balanced.

## ENERGY RECOVERY CORE

Enthalpic core (ERV EC D 80) provides both heat&humidity recovery. For enthalpic core no drain required.



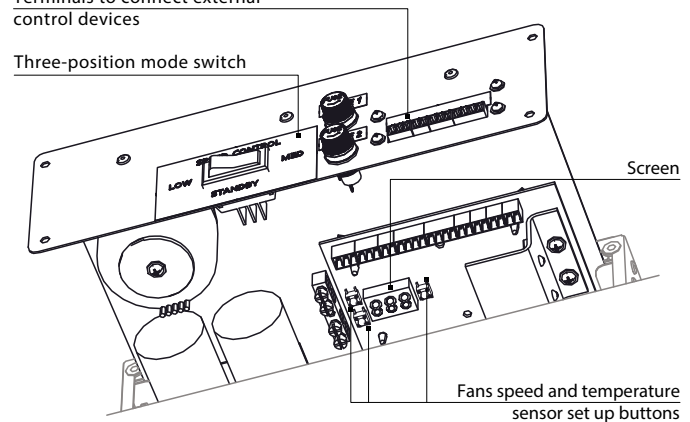
## DEFROST SYSTEM

To protect the Energy Recovery Core, an antifreeze electronic protection system is applied. It switches the supply fan off according to the temperature sensor settings. Warm extract air defrosts the ERV core then the supply fan switches on and the ventilator continues operating under rated conditions.

## CONTROL BOARD

Terminals to connect external control devices

Three-position mode switch



The unit incorporates an integrated control system with following functions:

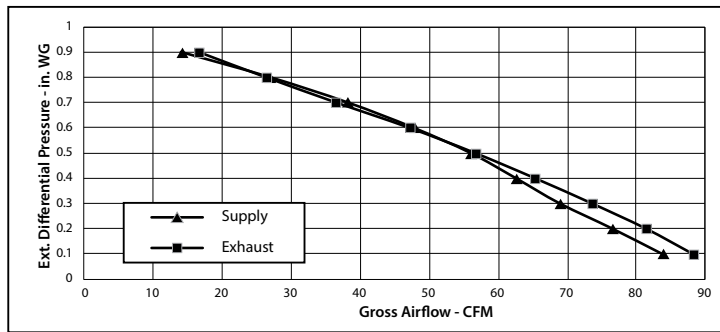
- operation mode switch.
- Airflow balancing enabled by supply and exhaust fan independent speed adjustment from 0 to 100% (percentage is displayed on built in screen).
- Automatic recovery core frost protection.
- External control device connection (up to 5 at the same time).

## SUITABLE FOR:

Bathroom / kitchen / apartments / cottages / small offices.

PERFORMANCE

External Static Pressure		Net Supply Air Flow		Gross Air Flow				Power
				Supply		Exhaust		
Pa	in. W.G.	L/s	CFM	L/s	CFM	L/s	CFM	Watts
25	0.1	38	81	40	84	42	88	61
50	0.2	35	74	36	76	38	81	61
75	0.3	32	67	33	69	35	74	61
100	0.4	29	61	30	63	31	65	60
125	0.5	26	54	26	56	27	57	61
150	0.6	22	46	23	48	22	47	60
175	0.7	17	37	18	38	17	36	58
200	0.8	12	26	13	27	12	26	59
225	0.9	8	16	7	14	8	17	55

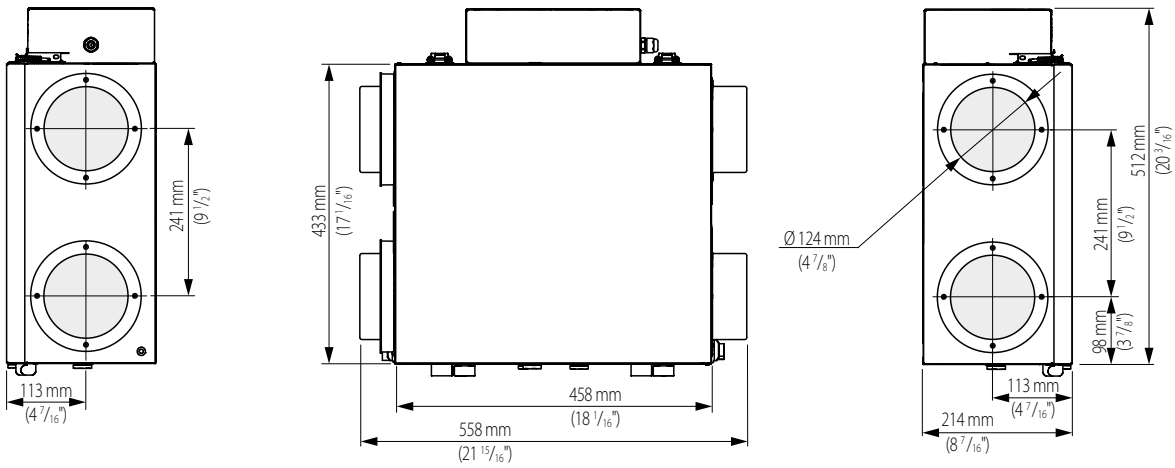


SOUND  
1.4 Sones (30 L/s @ 50 Pa)

MODE	SUPPLY TEMPERATURE		NET AIR FLOW		AVERAGE POWER	SENSIBLE RECOVERY EFFICIENCY	APPARENT SENSIBLE EFFECTIVENESS	NET MOISTURE TRANSFER
	°C	°F	L/s	CFM	(Watts)	SRE (%)	ASEF (%)	
HEATING	0	32	20	42	25	73	82	0.46
	0	32	25	53	38	69	79	0.47
	0	32	30	63	49	68	78	0.45
COOLING	35	95	20	42	25	54.5	72	0.49

Model	Volts	Max. Watts	Max. Amps
ERV EC D 80	120V, 60Hz	61	0.9

**DIMENSIONS**



MODEL	QUANTITY	COMMENTS	PROJECT
			location:
			architect:
			engineer:
			contractor:
			submitted by:

