

DESCRIPTION



HRV DR 120 HEAT RECOVERY VENTILATOR

HRV DR 120 are the complete whole house ventilation system designed to bring a continuous supply of fresh air into the house while exhausting an equal amount of stale air.

Five year warranty.

CASING

Steel casing is covered with high-quality multilayer aluminum and zinc alloy to prevent corrosion.

The casing is equipped with a switch to turn the ventilator off when the service panel is opened.

FILTER

Washable MERV 6 air filters in exhaust and supply air streams. Optional supply: anti grease aluminum filter.

FANS

The unit is equipped with supply and exhaust centrifugal fans with forward curved blades and build-in thermal overheating protection with automatic restart. The electric motors and impellers are dynamically balanced.

HEAT RECOVERY CORE

Aluminum cross-flow core (HRV DR 120) ensures efficient heat recovery.



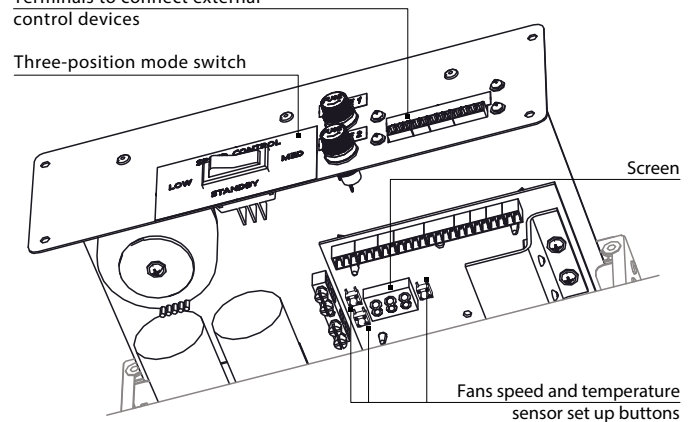
DEFROST SYSTEM

Recirculation or only exhaust defrost modes are available.

CONTROL BOARD

Terminals to connect external control devices

Three-position mode switch



Fans speed and temperature sensor set up buttons

The unit incorporates an integrated control system with following functions:

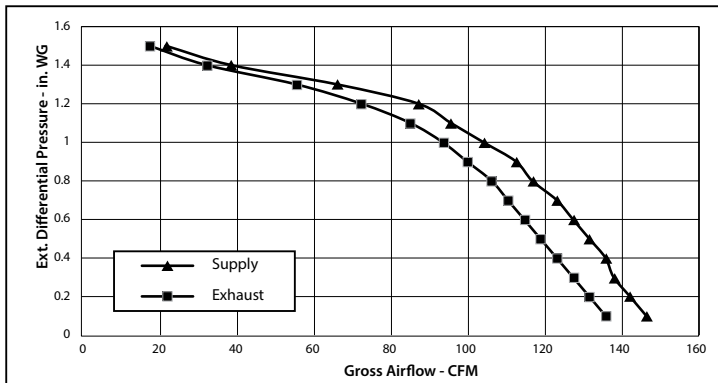
- Operation mode switch.
- Airflow balancing enabled by supply and exhaust fan independent speed adjustment from 0 to 100% (percentage is displayed on built in screen).
- Automatic recovery core frost protection.
- External control device connection (up to 5 at the same time).

SUITABLE FOR:

Bathroom / kitchen / apartments / cottages / small offices.

PERFORMANCE

External Static Pressure		Net Supply Air Flow		Gross Air Flow				Power
				Supply		Exhaust		
Pa	in. W.G.	L/s	CFM	L/s	CFM	L/s	CFM	Watts
25	0.1	67	142	69	146	64	136	158
50	0.2	65	138	67	142	62	131	157
75	0.3	63	134	65	138	60	127	156
100	0.4	62	132	64	136	58	123	155
125	0.5	60	127	62	131	56	119	153
150	0.6	58	123	60	127	54	114	152
175	0.7	56	119	58	123	52	110	151
200	0.8	53	113	55	117	50	106	149
225	0.9	51	109	53	112	47	100	148
250	1	48	101	49	104	44	93	146
275	1.1	44	92	45	95	40	85	143
300	1.2	40	84	41	87	34	72	141
325	1.3	30	64	31	66	26	55	135
350	1.4	17	37	18	38	15	32	130
375	1.5	10	21	10	21	8	17	128



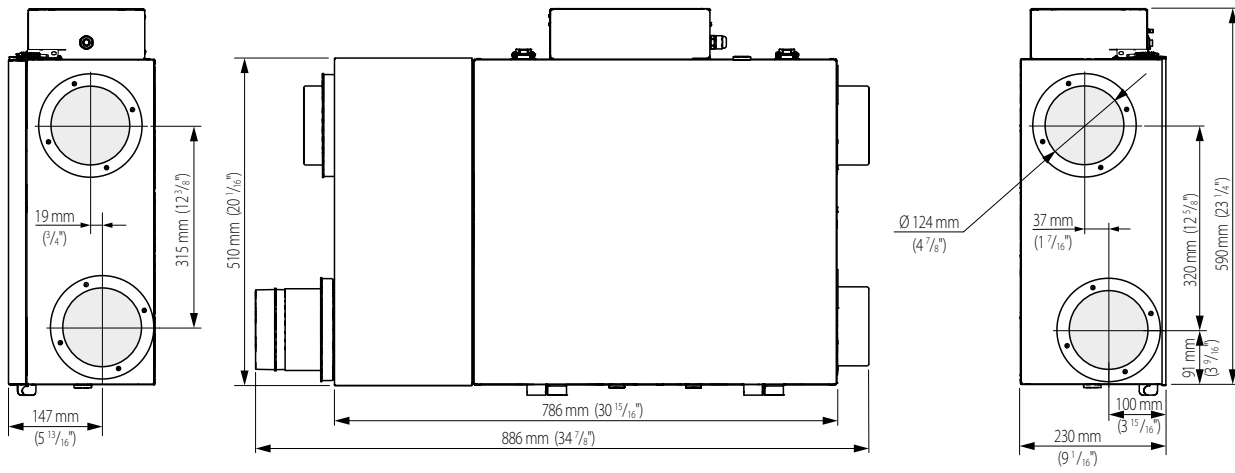
SOUND

1.9 Sones (30 L/s @ 50 Pa)

MODE	SUPPLY TEMPERATURE		NET AIR FLOW		AVERAGE POWER	SENSIBLE RECOVERY EFFICIENCY	APPARENT SENSIBLE EFFECTIVENESS	NET MOISTURE TRANSFER
	°C	°F	L/s	CFM	(Watts)	SRE (%)	ASEF (%)	
HEATING	0	32	30	64	86	60	70	0.05
	0	32	45	95	114	57	67	0.04
	0	32	50	106	126	55	65	0.04
COOLING	35	95	30	64	86	29	61	0.04

Model	Volts	Max. Watts	Max. Amps
HRV DR 120	120V, 60Hz	158	1.3

DIMENSIONS



MODEL	QUANTITY	COMMENTS	PROJECT
			location:
			architect:
			engineer:
			contractor:
			submitted by:

