

DESCRIPTION



HRV DR 150

HEAT RECOVERY VENTILATOR

HRV DR 150 are the complete whole house ventilation system designed to bring a continuous supply of fresh air into the house while exhausting an equal amount of stale air.

Five year warranty.

CASING

Steel casing is covered with high-quality multilayer aluminum and zinc alloy to prevent corrosion.

The casing is equipped with a switch to turn the ventilator off when the service panel is opened.

FILTER

Washable MERV 6 air filters in exhaust and supply air streams. Optional supply: anti grease aluminum filter.

FANS

The unit is equipped with supply and exhaust centrifugal fans with backward curved blades and build-in thermal overheating protection with automatic restart. The electric motors and impellers are dynamically balanced.

HEAT RECOVERY CORE

Aluminum cross-flow core (HRV DR 150) ensures efficient heat recovery.



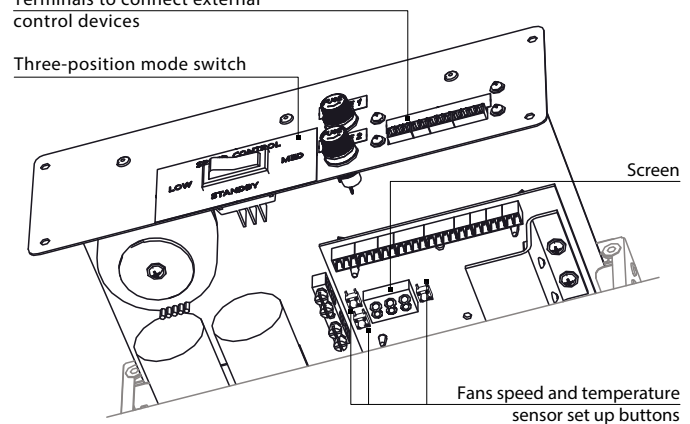
DEFROST SYSTEM

Recirculation or only exhaust defrost modes are available.

CONTROL BOARD

Terminals to connect external control devices

Three-position mode switch



The unit incorporates an integrated control system with following functions:

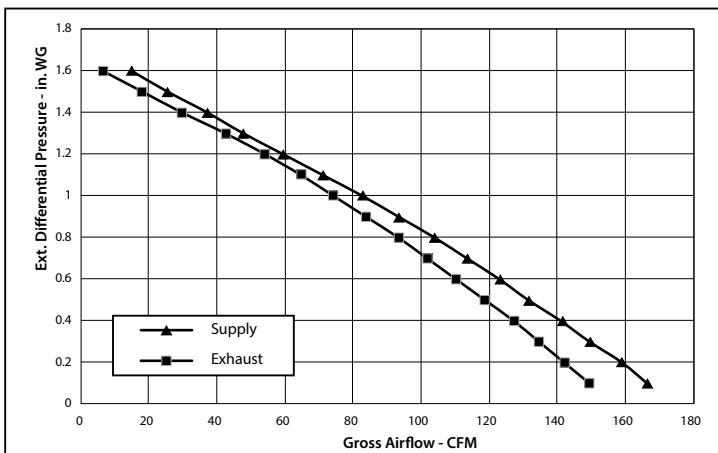
- Operation mode switch.
- Airflow balancing enabled by supply and exhaust fan independent speed adjustment from 0 to 100% (percentage is displayed on built in screen).
- Automatic recovery core frost protection.
- External control device connection (up to 5 at the same time).

SUITABLE FOR:

Bathroom / kitchen / apartments / cottages / small offices.

PERFORMANCE

External Static Pressure		Net Supply Air Flow		Gross Air Flow				Power
				Supply		Exhaust		
Pa	in. W.G.	L/s	CFM	L/s	CFM	L/s	CFM	Watts
25	0.1	76	161	79	166	71	149	192
50	0.2	73	154	75	159	67	142	192
75	0.3	68	145	71	149	64	135	191
100	0.4	65	137	67	141	60	127	191
125	0.5	60	127	62	131	56	119	191
150	0.6	56	119	58	123	52	110	190
175	0.7	52	110	54	113	48	102	189
200	0.8	48	101	49	104	44	93	188
225	0.9	38	81	44	93	40	84	187
250	1	34	72	39	83	35	74	186
275	1.1	29	62	34	71	31	65	185
300	1.2	25	52	28	59	26	54	183
325	1.3	19	41	23	48	20	42	181
350	1.4	13	29	18	37	14	30	179
375	1.5	8	17	12	25	9	18	177
400	1.6	3	6	7	15	3	6	176

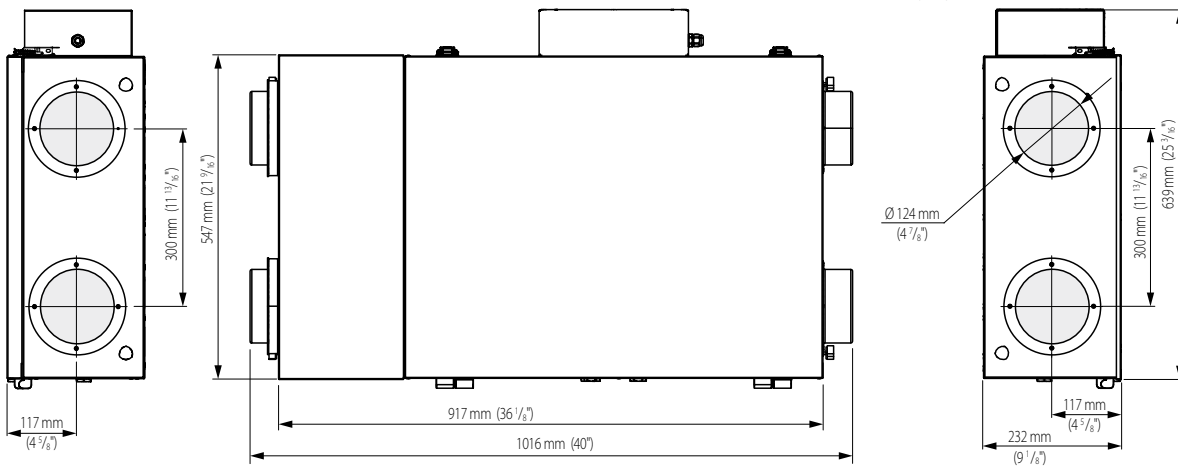


SOUND
2.1 Sones (30 L/s @ 50 Pa)

MODE	SUPPLY TEMPERATURE		NET AIR FLOW		AVERAGE POWER	SENSIBLE RECOVERY EFFICIENCY	APPARENT SENSIBLE EFFECTIVENESS	NET MOISTURE TRANSFER
	°C	°F	L/s	CFM	(Watts)	SRE (%)	ASEF (%)	
HEATING	0	32	31	65	97	64	79	0.05
	0	32	44	94	124	62	76	0.05
	0	32	49	104	134	60	74	0.05
COOLING	35	95	30	64	97	31.1	64	0.04

Model	Volts	Max. Watts	Max. Amps
HRV DR 150	120V, 60Hz	192	1.6

DIMENSIONS



MODEL	QUANTITY	COMMENTS	PROJECT
			location:
			architect:
			engineer:
			contractor:
			submitted by:

