

KOMFORT EC S160

Heat and energy recovery air handling units

Air handling for efficient supply and exhaust ventilation in flats, houses, cottages and other buildings.



Design

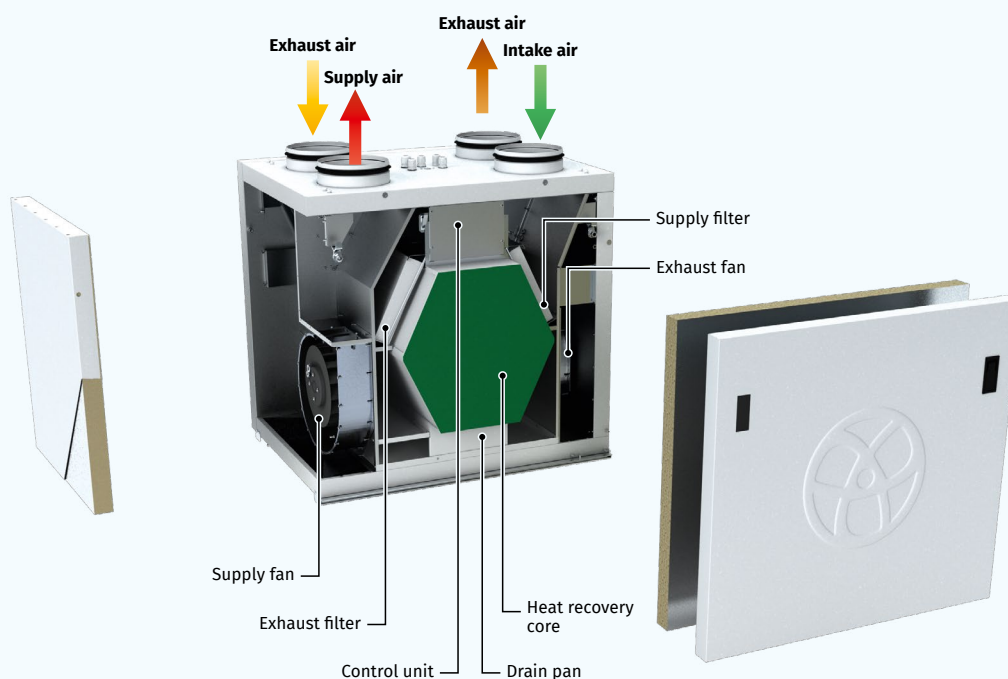
- The casing made of high-quality polymer coated steel, internally filled with a heat- and sound-insulated layer of mineral wool.
- The flanges are located at the top of the unit, and are rubber sealed for airtight connection to the air ducts.
- The units are equipped with either hinged service panel for easy maintenance operations.

Air filtration

- The built-in MERV13 supply filter and MERV8 exhaust filter provide efficient air filtration.

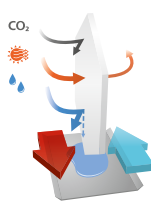
Fans

- High-efficient external rotor EC motors and centrifugal impellers are used for air supply and exhaust.
- Dynamically balanced impellers.



Heat recovery

- The **KOMFORT EC S160** units have a counter-flow polystyrene heat recovery core that recovers heat.



Control and automation

- KOMFORT EC S160 S11** units incorporate an integrated control system with the S11 wall-mounted control panel with an LCD display.
- KOMFORT EC S160 S14** units incorporate an integrated control system with the S14 wall-mounted control panel with a LED indication. The units are equipped with the Type B USB Connector for advanced options setting in a special software. The standard delivery set includes a 33 feet cable for connection of the unit and the control panel.

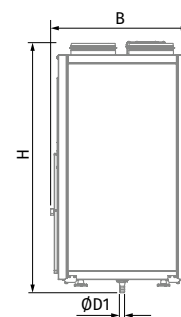
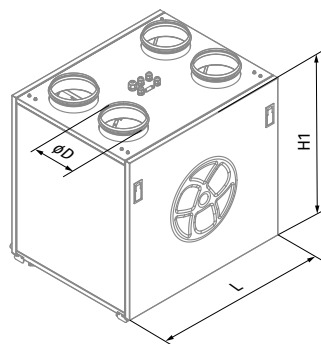


Mounting

- The units are designed for wall and floor mounting.
- The access for unit and filter maintenance is available from the front panel.
- During mounting stage the front and the back panels can be reversed providing either left-handed or right-handed unit mounting.

Overall dimensions [in]

Model	D	D1	B	H	H1	L
KOMFORT EC S160	4 7/8"	11/16"	13 11/16"	27 3/16"	21 13/16"	23 5/8"



Technical data

Parameters	KOMFORT EC S160
Voltage [V / 50 (60) Hz]	120
Power [W]	51
Current [A]	0.4
Maximum air flow [CFM]	106
RPM [min ⁻¹]	3770
Sound pressure level at 10 ft [dBA]	24
Transported air temperature [°F]	-13...+140
Casing material	polymer coated steel
Insulation	13/16", mineral wool
Exhaust filter	MERV8
Supply filter	MERV13 (MERV8 optional)
Connected air duct diameter [in]	4 15/16
Weight [lb]	92.6
Heat recovery efficiency [%]	88-98
Heat recovery core type	counter-flow
Heat recovery core material	polystyrene
SEC class	A+
ErP	2016, 2018

MODEL	QUANTITY	COMMENTS	PROJECT
			location:
			architect:
			engineer:
			contractor:
			submitted by: