

VENTO EXPERT A50-1 W

Heat and energy recovery single-room units

VENTO Expert A50-1 W is the Single Room Ventilation Solution.

Arrangement of efficient energy-saving, supply and exhaust, single-room ventilation in flats, houses, cottages, social and commercial premises. Reducing heat losses caused by ventilation due to heat recovery. Humidity balance and regulated air exchange create individually controlled microclimate. Wi-Fi communication between several single-room ventilation units for coordinated operation. Controlled by Android or iOS smartphone or tablet.



Design

- Aluminium or stainless steel outer hood: Modern design that fits any interior and exterior / 100% corrosion proof.
- Plug-&-Play installation: No special skills required / No balancing needed / Through the wall installation. Compact unit design.
- Almost no maintenance required: Washable filter and core.
- MERV 7 and MERV 15 air purification.
- Antibacterial treatment of ERV core and filters.
- Automatic shutters.

Motor

- Fan with reversible EC motor.

Performance

| Parameters | VENTO Expert A50-1 W | | |
|--|--------------------------------------|----------|----------|
| | I | II | III |
| Speed | | | |
| Voltage [V / 50 (60) Hz] | | 100-230 | |
| Power [W] | 4.45 | 5.08 | 7.06 |
| Current [A] | 0.035 | 0.040 | 0.059 |
| RPM [min ⁻¹] | 800 | 1300 | 1900 |
| Air flow in ventilation mode [CFM (l/s)] | 9 (4) | 18 (8) | 29 (14) |
| Air flow in heat recovery mode [CFM (l/s)] | 5 (2) | 9 (4) | 15 (7) |
| SFP [W/l/s] | 2.14 | 1.22 | 1.02 |
| Filter | MERV6 (Option: MERV14 PM2.5 > 99 %*) | | |
| Transported air temperature [°F] | +5...+104 | | |
| Sound pressure level at 1 ft [dBA (Sones)] | 20 (0.6) | 27 (1.0) | 30 (1.2) |
| Sound pressure level at 3 ft [dBA (Sones)] | 11 (0.3) | 18 (0.5) | 21 (0.6) |
| Outdoor sound pressure attenuation [dBA (Sones)] in accordance with DIN EN 20140 | 42 (2.5) | | |
| Regeneration efficiency [%] in accordance with DIBt LÜ-A 20 | 97 | 90 | 82 |
| SEC Class | A | | |
| Ingress Protection Rating | IP24 | | |

* maximum air flow 24 CFM

Heat and energy recovery

- Ceramic ERV core provides one of the best recovery efficiency on the market due to innovative hexagonal structure of the core cells.

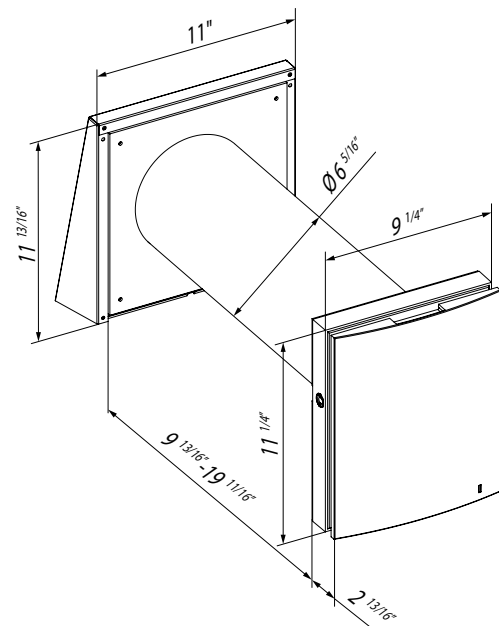
Control

- Control of the unit operation mode is performed by means of smartphone, sensor control panel located on the unit casing or a remote controller. The units can be connected by Wi-Fi for synchronized operation.

Suitable for

- Bathroom / kitchen / apartments / cottages / small offices

Dimensions



| MODEL | QUANTITY | COMMENTS | PROJECT |
|-------|----------|----------|---------------|
| | | | location: |
| | | | architect: |
| | | | engineer: |
| | | | contractor: |
| | | | submitted by: |