

VENTO EXPERT DUO A30-1 Pro

Heat and energy recovery single-room units

VENTO Expert DUO A30-1 Pro is the Single Room Ventilation Solution.

Arrangement of supply and exhaust ventilation with heat recovery in wet rooms like kitchen, bathroom, utility room. Balanced ventilation due to simultaneous supply and exhaust ventilation. Protection from outdoor noise. Reducing heat losses caused by ventilation due to heat recovery. Humidity control by means of built-in humidity sensor.



Design

- Aluminium or stainless steel outer hood: Modern design that fits any interior and exterior / 100% corrosion proof.
- Plug-&-Play installation: No special skills required / No balancing needed / Through the wall installation. Compact unit design.
- Almost no maintenance required: Washable filter and core.
- MERV6 and MERV14 air purification.
- Antibacterial treatment of ERV core and filters.
- Automatic shutters.

Motor

- Reversible fan with EC motor.

Performance

Parameters	VENTO Expert DUO A30-1 Pro		
	I	II	III
Speed			
Voltage [V / 50 (60) Hz]		100-240	
Power [W]	2.00	3.70	6.40
Current [A]	0.027	0.043	0.067
RPM [min ⁻¹]	1600	2200	2500
Maximum air flow [CFM (l/s)]	6 (3)	12 (6)	18 (8)
Air flow in humidity extract mode [CFM (l/s)]		35 (16)	
SFP [W/l/s]	0.72	0.67	0.77
Filter		MERV6	
Transported air temperature [°F]		+5...+104	
Sound pressure level at 1 ft [dBA (Sones)]	33 (1.2)	40 (2.0)	43 (2.5)
Sound pressure level at 3 ft [dBA (Sones)]	24 (0.5)	31 (1.0)	34 (1.2)
Outdoor sound pressure attenuation [dBA (Sones)] in accordance with DIN EN 20140		42 (2.5)	
Regeneration efficiency [%] in accordance with DIBt LÜ-A 20		up to 85	
SEC Class		A	
Ingress protection rating		IP24	

Heat and energy recovery

- Ceramic ERV core provides one of the best recovery efficiency on the market due to innovative hexagonal structure of the core cells.

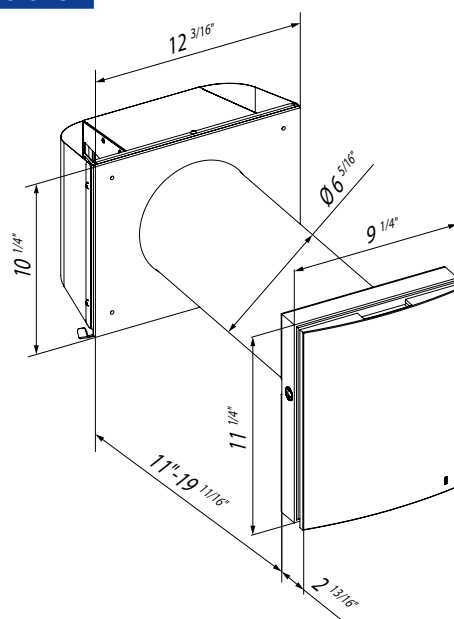
Control

- Control of the unit operation mode is performed by means of the sensor control panel located on the unit casing or the remote controller. VENTO Expert DUO either can operate as independent unit or can be wired with other units in a house. In this case, only the master unit receives a signal from the remote control. VENTO Expert DUO is equipped with a humidity sensor for indoor humidity control. If humidity increases above a set point, the unit boosts to the high speed independent of other units in the system.

Suitable for

- Bathroom / kitchen / apartments / cottages / small offices

Dimensions



MODEL	QUANTITY	COMMENTS	PROJECT
			location:
			architect:
			engineer:
			contractor:
			submitted by: